

**Olympian Plus
Pressure Regulator
3/4", 1", 1 1/4", 1 1/2" Port Sizes**

- **Olympian Plus plug in system**
- **Robust and compact**
- **High flow unit with large valve and diaphragm**
- **Push to lock adjusting knob with tamper resistant option**
- **Excellent flow and regulation characteristics**


Technical Data

Fluid: Compressed air

Maximum pressure: 20 bar (300 psig)

Operating temperature*: -20° to +80°C (0° to +175°F)

* Air supply must be dry enough to avoid ice formation at temperatures below +2°C (+35°F).

Typical flow at 10 bar (150 psig) inlet pressure, 6,3 bar (90 psig) set pressure and a droop of 1 bar (15 psig) from set:
170 dm³/s (370 scfm)

Gauge ports:

1/8 PTF with PTF yoke ports

Rc1/8 with ISO Rc yoke ports

Rc1/8 with ISO G yoke ports

Materials:

Body: Aluminium

Yoke: Aluminium

Bonnet: Aluminium

Adjusting knob: Acetal resin

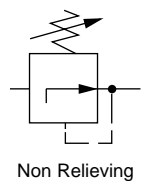
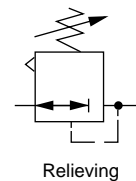
Valve: Aluminium

Optional T-bar adjusting screw: Steel

Elastomers: Synthetic rubber

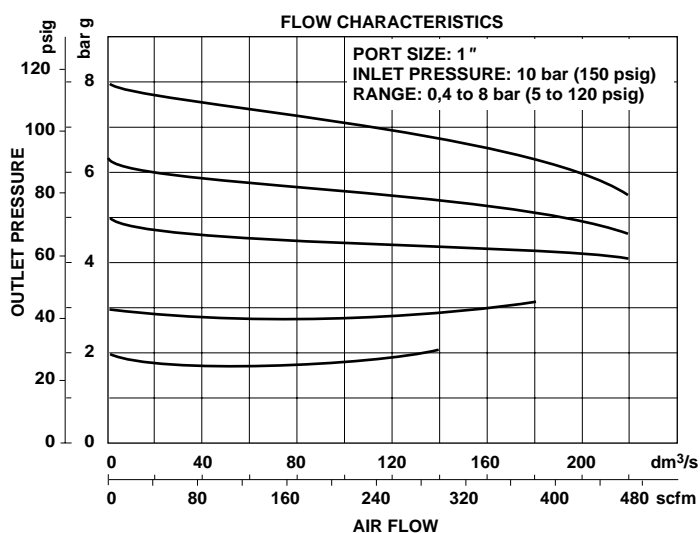
Ordering Information

See *Ordering Information* on the following pages.

ISO Symbol




Typical Performance Characteristics



Ordering Information. Models listed include a yoke with ISO G threads, and a regulator with knob adjustment, relieving diaphragm, and a 0,4 to 8 bar (5 to 120 psig) outlet pressure adjustment range*. A gauge is not included.

Port Size	Model	Flow† dm³/s (scfm)	Weight kg (lb)
G3/4	R68G-6GK-RLN	150 (318)	1,95 (4.29)
G1	R68G-8GK-RLN	170 (360)	1,89 (4.16)
G1 1/4	R68G-AGK-RLN	170 (360)	1,93 (4.24)
G1 1/2	R68G-BGK-RLN	170 (360)	1,97 (4.33)

Alternative Models

R 6 8 G - ★ ★ ★ - ★ ★ ★

Port Size	Substitute
3/4"	6
1"	8
1 1/4"	A
1 1/2"	B
None	N

Threads	Substitute
PTF	A
ISO Rc taper	B
ISO G parallel	G
No Yoke (<i>N</i> in 5th position)	N
Rc threaded gauge ports	A
No Yoke (<i>N</i> in 5th position)	A
PTF threaded gauge ports	A

Option	Substitute
Adjusting knob	K
T-bar	T

Gauge	Substitute
With	G
Without	N

Outlet Pressure Adjustment Range*	Substitute
0 to 4 bar (0 to 60 psig)	F
0,4 to 8 bar (5 to 120 psig)	L
0,7 to 17 bar (10 to 250 psig)	S**

Type	Substitute
Relieving	R
Non relieving	N
Relieving, Viton option	F
Non relieving, Viton option	E

* Outlet pressure can be adjusted to pressures in excess of, and less than, those specified. Do not use these units to control pressures outside of the specified ranges.

** Units with 17 bar (250 psig) adjustment range are available only with the T-bar adjustment; therefore substitute **T** at the 7th digit and **S** at the 9th position.

† Typical flow with 10 bar (150 psig) inlet pressure, 6,3 bar (90 psig) set pressure and a 1 bar (15 psig) drop from set.

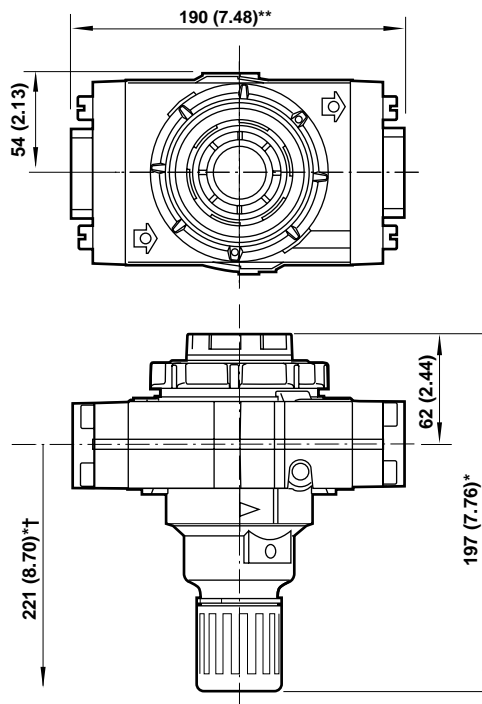


Accessories

Wall Mounting Bracket	Tamper Resistant Cover and Seal Wire††	Ø 50 mm Pressure Gauge	R1/8 Connection	1/8 PTF Connection
3/4" ported yoke: 18-001-979	Cover and wire: 4355-51	4 bar (60 psig):	18-013-011	18-013-202
1" ported yoke: 18-001-979	Replacement Wire: 2117-01	10 bar (150 psig):	18-013-013	18-013-204
1 1/4" ported yoke: 18-001-978		25 bar (360 psig):	18-013-014	18-013-206
1 1/2" ported yoke: N/A				

†† Use padlock with shackle up to 8 mm (0.3") diameter.

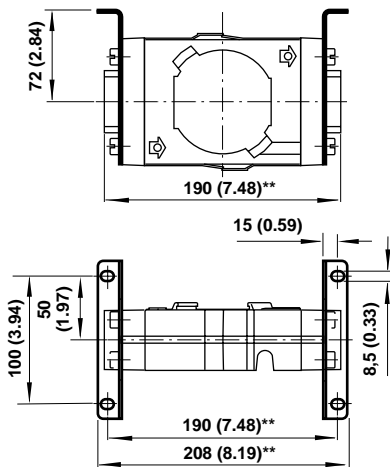
Dimensions mm (inches)



- * Add 37mm (1.46") for unit with T-bar.
- ** Add 10mm (0.39") 1-1/4" and 1-1/2" models.
- † Minimum clearance required to remove unit.

Bracket Mounting

Use 4 mm (5/32") screws to mount bracket to wall.



** Add 10 mm (0.39") for 1 1/4" and 1 1/2" models.

Bracket Kit Reference

Item	Type	Part Number
Wall Bracket	3/4" ported yoke	18-001-979
	1" ported yoke	18-001-979
	1 1/4" ported yoke	18-001-978
	1 1/2" ported yoke	N/A



Service Kits

Item	Type	Part Number
Service kit	Relieving	4381-300
	Non relieving	4381-301

Service kit includes, valve spring, slip ring, valve assembly, diaphragm assembly and necessary seals and 'o' rings.

Warning

These products are intended for use in industrial compressed air systems only. Do not use these products where pressures and temperatures can exceed those listed under **Technical Data**.

Before using these products with fluids other than those specified, for non-industrial applications, life-support systems, or other applications not within published specifications, consult NORGREN.

Through misuse, age, or malfunction, components used in fluid power systems can fail in various modes. The system designer is warned to consider the failure modes of all component parts used in fluid power systems and to provide adequate safeguards to prevent personal injury or damage to equipment in the event of such failure.

System designers must provide a warning to end users in the system instructional manual if protection against a failure mode cannot be adequately provided.