

- Metallic parts meet NACE[†] recommendations
- Lloyd's Register Type Approved
- Low flow start point
- Built-in flow sensor gives almost constant oil/air ratio over a wide range of flows
- Can be filled under pressure
- Simple and accurate drip rate adjustment

[†]National Association of Corrosion Engineers - recognised oil-field recommendation for resistance to sulphide stress cracking common in well-head and other corrosive environments.

Technical Data

Medium:

Compressed air only

Maximum Pressure:

16 bar

Operating Temperature:

-20°C* to +80°C

*Consult our Technical Service for use below +2°C

Start Point at 6,3 bar:

1,7 dm³/s

Nominal Bowl Capacity:

0,2 litre

Maximum Flow with 6,3 bar inlet pressure and pressure drop of 0,5 bar:

48 dm³/s

Materials

Stainless Steel bowl and body. Synthetic rubber elastomeric materials.

Ordering Information

To order a standard Oil-Fog Lubricator, quote model number from table overleaf.

For non-standard models please consult our Technical Service.

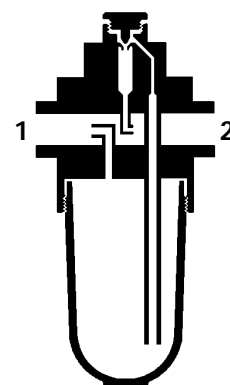
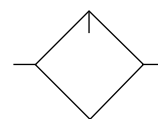


Port Size

½ N.P.T.

Alternative Models

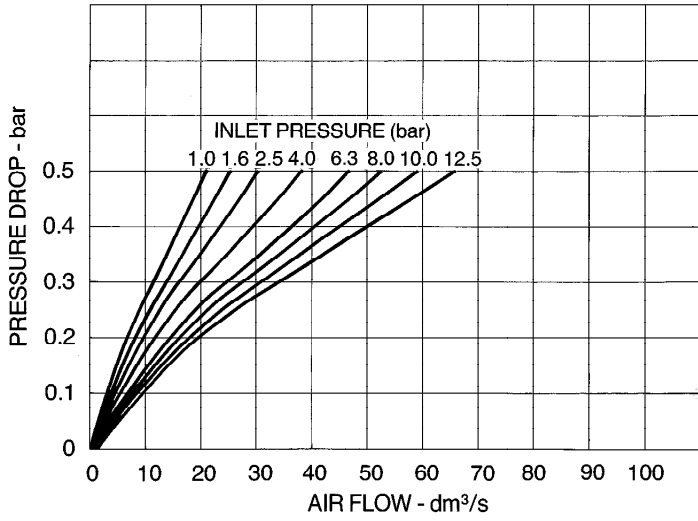
Other port thread forms





Typical Performance Characteristics

FLOW CHARACTERISTICS



Standard Oil-Fog Lubricator

Type	Port Size	Model	Weight kg
Orientable Metal bowl	1/2 N.P.T.	L22-400-OP8A	1,93

Non-standard Models

For other options, please consult our Technical Service.

Accessories

Wall Mounting Bracket Kit, see page 8.8.171.03.

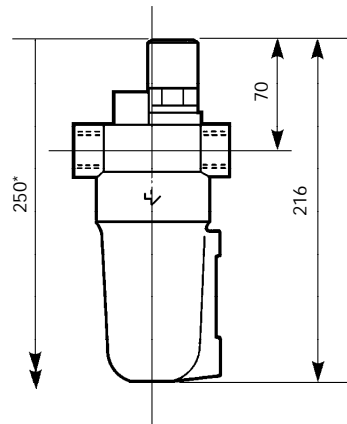
Connectors, 1/2 N.P.T. x 1/2 N.P.T. reference 6348-06.

Reducing Connectors, 1/2 N.P.T. x 1/4 N.P.T. reference 6348-04, 1/2 N.P.T. x 3/8 N.P.T. reference 6348-05.

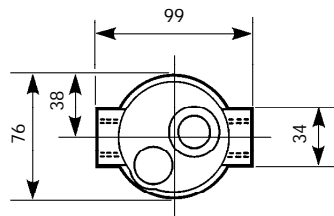
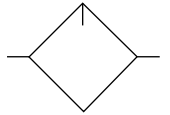
Shut-Off Ball Valve, 1/2 N.P.T. female x 1/2 N.P.T. female reference VC8TC2B.



Orienable Metal Bowl



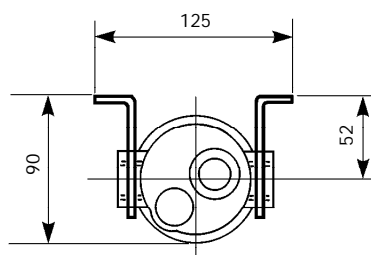
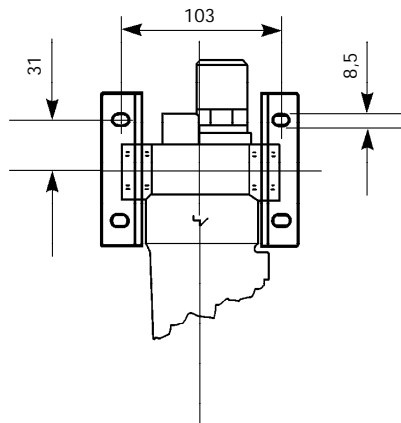
L22-400-OP8A 1/2 N.P.T.



*Minimum clearance required to remove bowl from body.

Bracket Mounting

Bracket Kit reference:
18-001-962





L22



Spares Kits

Bowl	Gasket Kit	Repair Kit
0,2 litre	L22-GK	L22-100

Repair Kit for Orientable Metal Bowl available, reference 5860-RK.

Warning

These products are intended for use in industrial compressed air systems only. Do not use these products where *pressures* and *temperatures* can exceed those listed under 'Technical Data'.

Before using these products with fluids other than those specified, for non-industrial applications, life-support systems, or other applications not within published specifications, consult NORGREN MARTONAIR.

Through misuse, age, or malfunction, components used in fluid power systems can fail in various modes. The system designer is warned to consider the failure modes of all component parts used in fluid power systems and to provide adequate safeguards to prevent personal injury or damage to equipment in the event of such failure.

System designers must provide a warning to end users in the system instructional manual if protection against a failure mode cannot be adequately provided.

System designers and end users are cautioned to review specific warnings found in instruction sheets packed and shipped with these products.