

**In-line 2/2 and 3/2 Poppet Valves
Solenoid and Pilot Actuated
G³/₈ to G2**

- Exceptionally high flow
- High reliability
- Durable
- Reversible seals


Technical Data

Medium:

Filtered and lubricated compressed air.

Operation:

Poppet valve indirectly actuated.

Mounting:

Through-holes in valve body.

Port Size:

G³/₈ to G2

Operating Pressure:

Maximum 20 bar. For details see overleaf.

Pilot Air Supply Pressure:

2-20 bar.

Flow Characteristics:

Cv up to 40

See table over for details.

Operating Temperature:

Solenoid pilot: -29°C to +54°C

Air pilot: -29°C to +79°C

*Consult our Technical Service for use below +2°C.

Materials:

Diecast aluminium alloy body and piston, aluminium or glass filled nylon end cover, nitrile rubber seals.

Options:

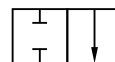
Vacuum service

Fluorocarbon seals

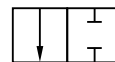
Ordering Information

To order standard poppet valves with coils, quote model number and voltage code from tables on page 5.4.291.02, eg. order DA024C-00-CE50110 for a 3-port, 2-position, normally closed, solenoid pilot operated spring return model with an internal pilot supply, fitted with a 110V/50Hz and manual locking override.

2/2 Normally Closed



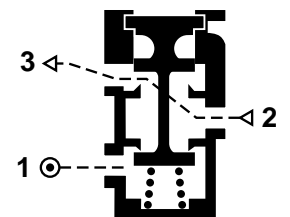
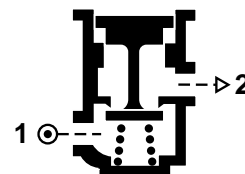
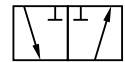
2/2 Normally Open



3/2 Normally Closed



3/2 Normally Open





General Information

2/2 and 3/2 Air Pilot Operated In-line Valves

Symbol	Basic Size	Port Size	Model	Type	Pilot Pressure (bar)	Operating Pressure (bar)	Cv Flow	Weight (kg)	Repair Kits
	G1/2	G3/8	AA013C-AA	NC	2-20	0-20	3,4	0,83	53474-03
		G1/2	AA014C-AA	NC	2-20	0-20	5,3	0,83	53474-03
		G3/4	AA015C-AA	NC	2-20	0-20	6,5	0,83	53474-03
	G1	G1	AA026C-AA	NC	2-20	0-20	13,5	1,82	53475-01
	G2	G2	AA039C-AA	NC	2-20	0-20	39,6	3,98	53822-01
	G1/2	G3/8	BA013C-AA	NO	2-20	0-20	3,8	0,83	53474-03
		G1/2	BA014C-AA	NO	2-20	0-20	5,4	0,83	53474-03
		G3/4	BA015C-AA	NO	2-20	0-20	6,3	0,83	53474-03
	G1	G1	BA026C-AA	NO	2-20	0-20	15,4	1,82	53475-01
	G1/2	G3/8	DA023C-AA	NC	2-20	0-20	4,9	0,96	53474-03
		G1/2	DA024C-AA	NC	2-20	0-20	5,8	0,96	53474-03
		G3/4	DA025C-AA	NC	2-20	0-20	6,2	0,96	53474-03
	G1	G1	DA036C-AA	NC	2-20	0-20	14,6	1,86	53475-01
	G1/2	G3/8	EA023C-AA	NO	2-20	0-20	4,6	0,96	53474-03
		G1/2	EA024C-AA	NO	2-20	0-20	5,5	0,96	53474-03
		G3/4	EA025C-AA	NO	2-20	0-20	5,8	0,96	53474-03
	G1	G1	EA036C-AA	NO	2-20	0-20	13,8	1,86	53475-01

2/2 and 3/2 Solenoid Pilot Operated In-line Valves

Symbol	Basic Size	Port Size	Model	Type	Solenoid Pilot	Operating Pressure (bar)	Cv Flow	Weight (kg)	Repair Kit
	G1/2	G3/8	AA013C-00-CE*****	NC	Internal	2-10	3,4	0,98	53474-03
		G1/2	AA014C-00-CE*****	NC	Internal	2-10	5,3	0,98	53474-03
		G3/4	AA015C-00-CE*****	NC	Internal	2-10	6,5	0,98	53474-03
	G1	G1	AA026C-00-CE*****	NC	Internal	2-10	13,5	1,97	53475-01
	G2	G2	AA039C-00-CE*****	NC	Internal	2-10	39,6	4,13	53822-01
	G1/2	G3/8	BA013C-00-CE*****	NO	Internal	2-10	3,8	0,98	53474-03
		G1/2	BA014C-00-CE*****	NO	Internal	2-10	5,4	0,98	53474-03
		G3/4	BA015C-00-CE*****	NO	Internal	2-10	6,3	0,98	53474-03
	G1	G1	BA026C-00-CE*****	NO	Internal	2-10	15,4	1,97	53475-01
	G1/2	G3/8	DA023C-00-CE*****	NC	Internal	2-10	4,9	1,11	53474-03
		G1/2	DA024C-00-CE*****	NC	Internal	2-10	5,8	1,11	53474-03
		G3/4	DA025C-00-CE*****	NC	Internal	2-10	6,2	1,11	53474-03
	G1	G1	DA036C-00-CE*****	NC	Internal	2-10	14,6	2,02	53475-01
	G1/2	G3/8	EA023C-00-CE*****	NO	Internal	2-10	4,6	1,11	53474-03
		G1/2	EA024C-00-CE*****	NO	Internal	2-10	5,5	1,11	53474-03
		G3/4	EA025C-00-CE*****	NO	Internal	2-10	5,8	1,11	53474-03
	G1	G1	EA036C-00-CE*****	NO	Internal	2-10	13,8	2,02	53475-01

*****Insert voltage code from table below.
 NC = normally open, NO = normally closed

Voltage Codes

Voltage	Code	Power Inrush/Hold
24V d.c.	00024	7,5W
110V a.c.	50110	12/8VA
220V a.c.	50220	12/8VA

Electrical Details for Solenoid Operators

Voltage Tolerance	+10/-15%
Rating	100% ED
Inlet Orifice	1,6mm
Electrical Connection	DIN 43650 Form B Industrial
Manual Override	Locking
Protection Class	IP65 (DIN 40050)

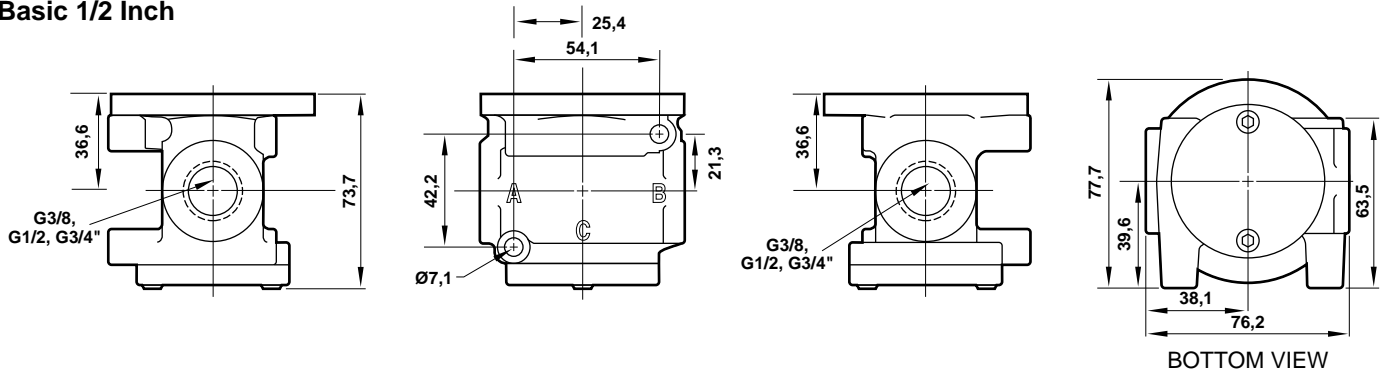
For details of connector plugs and light emitting gaskets see data sheet 7.7.001.



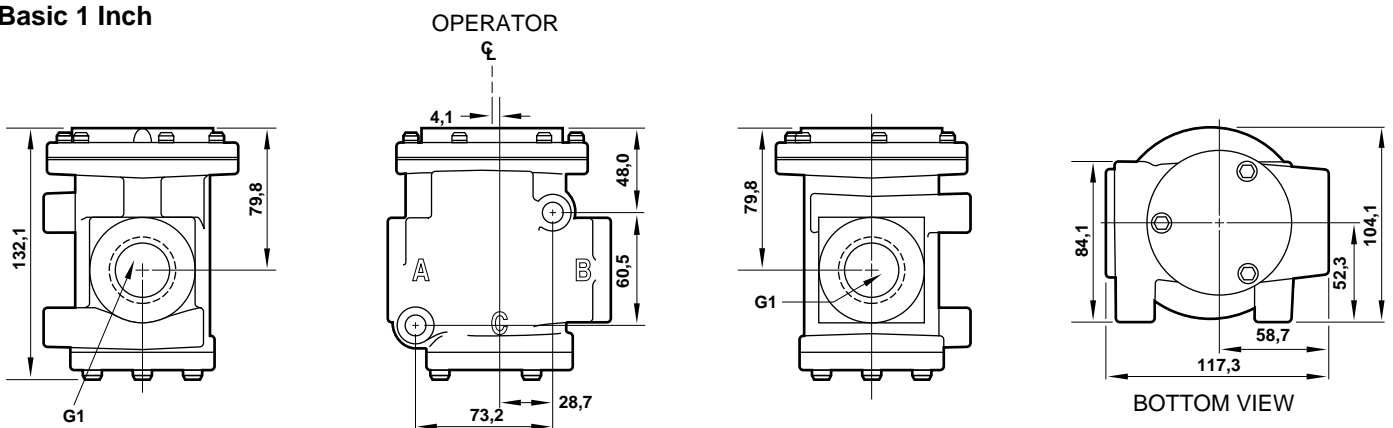
Dimensions

2/2 In-line

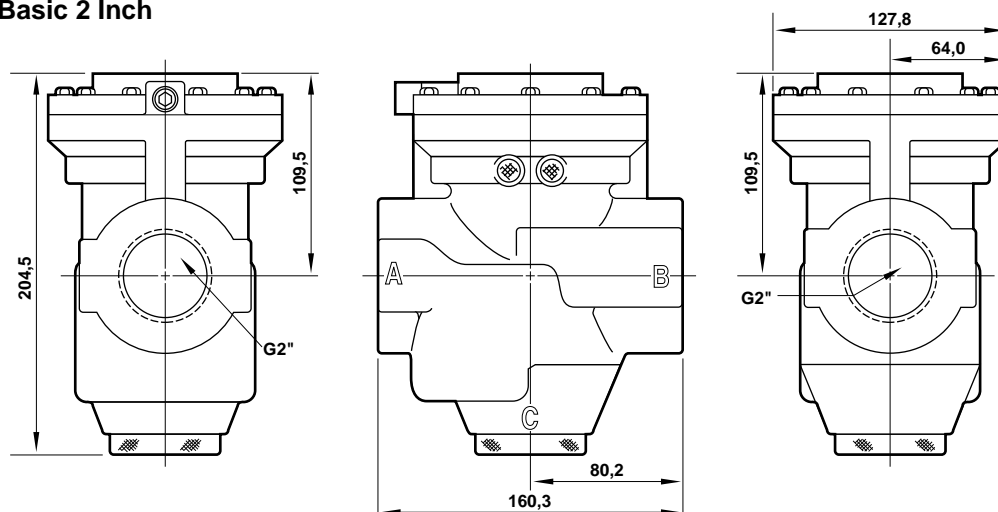
Basic 1/2 Inch



Basic 1 Inch



Basic 2 Inch



Warning

These products are intended for use in industrial compressed air systems only. Do not use these products where *pressures* and *temperatures* can exceed those listed under 'Technical Data'.

Before using these products with fluids other than those specified, for non-industrial applications, life-support systems, or other applications not within published specifications, consult NORGREN.

Through misuse, age, or malfunction, components used in fluid power systems can fail in various modes. The system designer is warned to consider the failure modes of all component parts used in fluid power systems and to provide adequate safeguards to prevent personal injury or damage to equipment in the event of such failure.

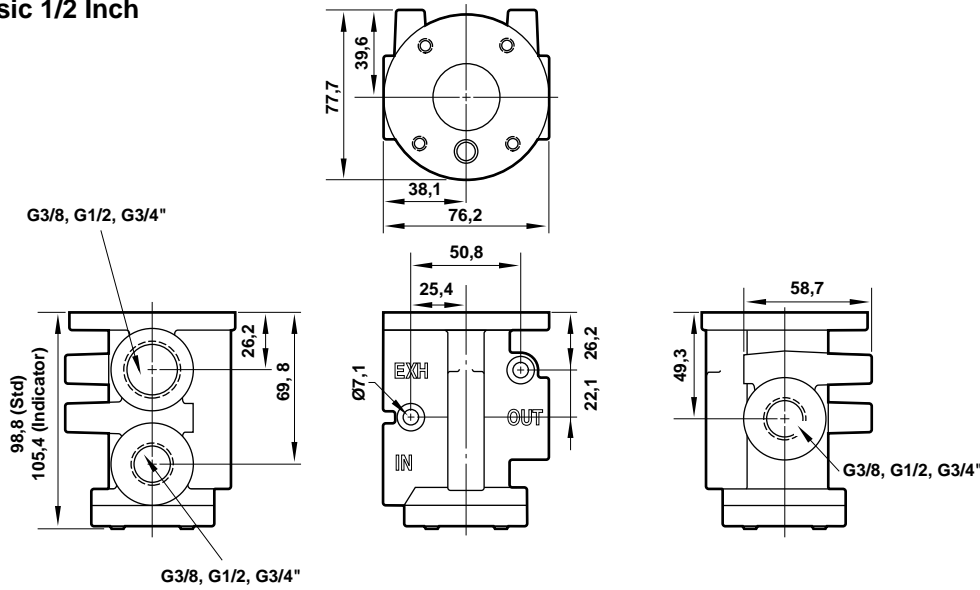
System designers must provide a warning to end users in the system instructional manual if protection against a failure mode cannot be adequately provided.

System designers and end users are cautioned to review specific warnings found in instruction sheets packed and shipped with these products.

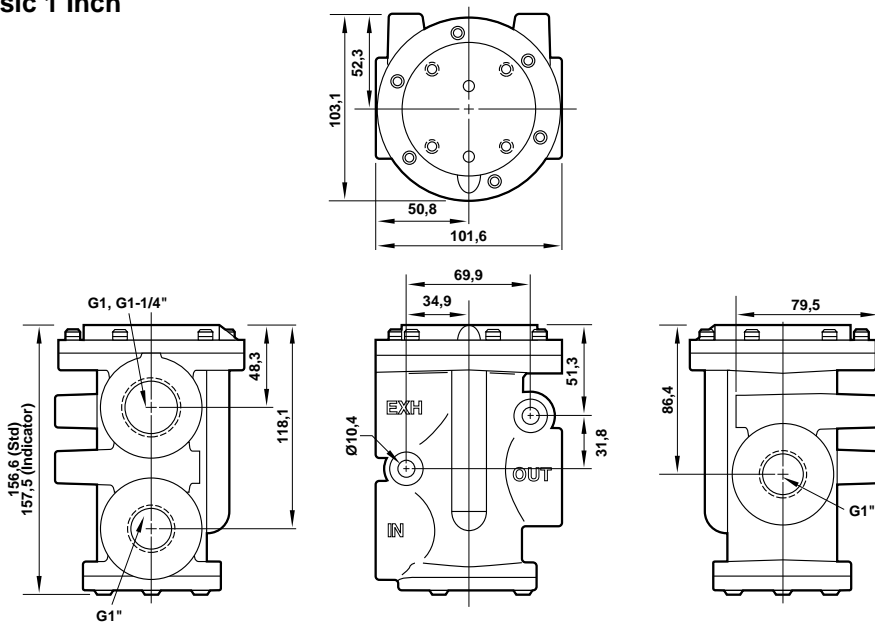


Dimensions 3/2 In-line

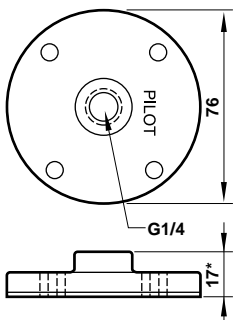
Basic 1/2 Inch



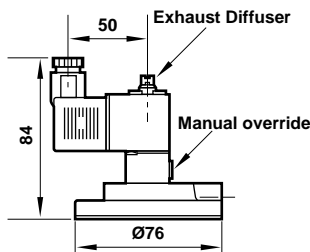
Basic 1 Inch



Air Operators Dimensions



Solenoid Operator Dimensions



* Gasket, 0,03 thick included in dimension.