

**In-line 3/2, 5/2 and 5/3 Spool Valves
Manually and Mechanically Actuated
G¹/₈ and G¹/₄**

- Wide range of operators
- Suitable for multi-directional flow and dual supply applications
- High flow capacity
- Lightweight corrosion resistant materials


Technical Data

Medium:

Compressed air, filtered, lubricated and non-lubricated

Operation:

Spool Valve, directly and indirectly actuated

Mounting:

Through-holes in valve body

Port Size:

G¹/₈ & G¹/₄

Operating Pressure:

Maximum -0,9 - 10 bar. For details see overleaf

Flow Characteristics:

Size	Function	'C'	'b'	'A'	l/min	Cv	Kv
G ¹ / ₈	3/2, 5/2 & 5/3	1,4	0,441	5,5	335	0,34	0,295
G ¹ / ₄	3/2, 5/2 & 5/3	4,0	0,434	16	965	0,98	0,351

Operating Temperature:

0°C* to +70°C

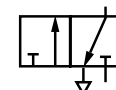
* Consult our Technical Service for use below +2°C.

Materials:

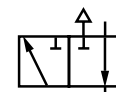
Diecast aluminium alloy body, aluminium or glass filled nylon end covers, nitrile rubber seals

Ordering Information

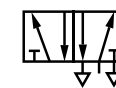
To order, quote number from tables overleaf, e.g. 03 0402 02 for a G¹/₈, 3/2 Roller Actuated, Spring Return Model.



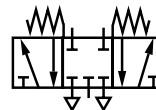
3/2 Normally closed



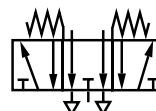
3/2 Normally open



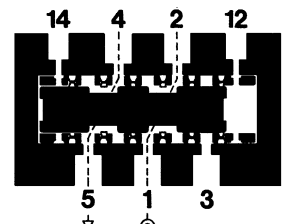
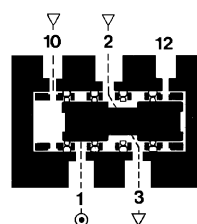
5/2



5/3
All ports blocked mid position



5/3
Centre open exhaust mid position



For Technical Data on Super X Solenoid and Pilot Valves see section 5.4.151



G¹/₈ 3/2 Mechanical Valves

Symbol	Model	Operator	Return	Weight (kg)	Spares kit	Page no
	03 0400 02	Plunger	Spring	0,140	03 8408 02	8
	03 0417 02	Plunger	Pilot	0,200	03 8408 02	8
	03 0402 02	Roller	Spring	0,140	03 8408 02	8
	03 0411 02	Roller Lever	Spring	0,210	03 8408 02	8
	03 0293 02	Roller Lever (Heavy Duty)	Spring	0,210	03 8408 02	9
	03 0423 02	Sensitive Roller Lever	Spring	0,250	N/A	9
	03 0409 02	Roller	Pilot	0,180	03 8408 02	9
	03 0427 02	Roller Lever	Pilot	0,250	03 8408 02	9
	03 0410 02	One-way Trip	Spring	0,210	03 8408 02	10
	03 0294 02	One-way trip (Heavy Duty)	Spring	0,210	03 8408 02	10
	03 0432 02	Antenna	Spring	0,210	N/A	10

G¹/₈ 5/2 Mechanical Valves

Symbol	Model	Operator	Return	Weight (kg)	Spares kit	Page no.
	X3 0440 02	Plunger	Spring	0,250	03 8408 02	11
	X3 0457 02	Plunger	Pilot	0,310	03 8408 02	11
	X3 0442 02	Roller	Spring	0,250	03 8408 02	11
	X3 0451 02	Roller Lever	Spring	0,320	03 8408 02	11
	X3 0393 02	Roller Lever (Heavy Duty)	Spring	0,290	03 8408 02	12
	X3 0463 02	Sensitive Roller Lever	Spring	0,360	N/A	12
	X3 0449 02	Roller	Pilot	0,290	03 8408 02	12
	X3 0467 02	Roller Lever	Pilot	0,360	03 8408 02	12
	X3 0450 02	One-way Trip	Spring	0,320	03 8408 02	13
	X3 0394 02	One Way Trip (Heavy Duty)	Spring	0,290	03 8408 02	13
	X3 0472 02	Antenna	Spring	0,300	N/A	13

G¹/₄ 3/2 Mechanical Valves

Symbol	Model	Operator	Return	Weight (kg)	Spares kit	Page no.
	03 0600 02	Plunger	Spring	0,340	03 8602 02	14
	03 0602 02	Roller	Spring	0,340	03 8602 02	14
	03 0611 02	Roller Lever	Spring	0,410	03 8602 02	14
	03 0609 02	Roller	Pilot	0,390	03 8612 02	14
	03 0624 02	Roller Lever	Pilot	0,450	03 8612 02	15



G¹/₄ 5/2 Mechanical Valves

Symbol	Model	Operator	Return	Weight (kg)	Spares kit	Page no.
	X3 0640 02	Plunger	Spring	0,460	03 8602 02	16
	X3 0642 02	Roller	Spring	0,460	03 8602 02	16
	X3 0651 02	Roller Lever	Spring	0,530	03 8602 02	16
	X3 0649 02	Roller	Pilot	0,500	03 8612 02	16
	X3 0664 02	Roller Lever	Pilot	0,570	03 8612 02	17

G¹/₈ 3/2 Manual Valves

Symbol	Model	Colour	Operator	Return	Weight (kg)	Spares kit	Page no.
	03 0404 02	Black	Button (Palm)	Spring	0,150	03 8408 02	18
	03 0405 02	Green					
	03 0406 02	Red					
	03 0366 02	Red	Button, (Palm)	Spring	0,290	03 8408 02	18
	03 0367 02	Green					
03 0368 02	Black	Button, (Shrouded)	Spring	0,210	03 8408 02	18	
03 0414 02	Black						
03 0415 02	Green						
	03 0416 02	Red	Button (Palm)	Pilot	0,220	03 8408 02	18
	03 0408 02	Black					
	03 0420 02	Green					
	03 0421 02	Red	Emergency Stop	Twist Ring	0,310	03 8473 02	19
	03 0428 02	Red		Rotary Knob	0,276	03 8408 02	19
	03 0297 02	Red	Emergency Stop	Rotary Knob	0,276	03 8408 02	19
	03 0335 02	Red					
	03 0438 02	Black	Lever	Spring	0,280	03 8408 02	20
	03 0426 02	Black	Lever	Spring	0,240	03 8408 02	20
	03 0403 02	Black	Lever	Lever	0,160	03 8408 02	20
	03 0437 02	Black	Lever	Lever	0,290	03 8408 02	20
	03 0296 02	Black	Lever	Lever	0,250	03 8048 02	19
	03 0425 02	Black	Knob	Knob	0,170	03 8408 02	20
	03 0424 02	Black	Knob	Knob or Pilot	0,210	03 8408 02	21
	03 0419 02	Black	Rotary Knob	Rotary Knob	0,290	03 8408 02	21
	03 0418 02 801	Chrome	Key	Key	0,360	03 8408 02	21
	03 0481 02	Black	Pedal	Spring	1,030	03 8408 02	21
	03 0483 02	Black	Pedal	Pedal	1,070	03 8408 02	22



G1/8 3/2 Manual Valves with Electrical Style Operating Heads

Symbol	Model	Colour	Operator	Return	Weight (kg)	Spares Kit	Page no.
	03 0269 02	Red	Button (Palm)	Spring	0,221	03 8408 02	23
	03 0270 02	Green					
	03 0271 02	Black					
	03 0263 02	Red	Button (Mushroom)	Spring	0,221	03 8408 02	22
	03 0264 02	Green					
	03 0265 02	Black					
	03 0266 02	Red	Button (Shrouded)	Spring	0,214	03 8408 02	23
	03 0267 02	Green					
	03 0268 02	Black					
	03 0272 02	Red	Button	Key	0,242	03 8408 02	23
	03 0273 02	-	Switch	Switch	0,250	03 8408 02	23
	03 0261 02	Black	Rotary knob	Rotary knob	0,229	03 8408 02	22
	03 0262 02	-	Key	Key	0,300	03 8408 02	22

G1/8 3/2 Adapter valve

Symbol	Model	Colour	Operator	Return	Weight (kg)	Spares Kit	Page no.
	03 0295 02	-	Adapter	Spring	2,21	03 8408 02	24

G1/8 5/2 and 3/2 Adapter Valve Heads

Model No.	Operator	Type	Colour
M/P 34840/R	Button (Palm)/Spring	Momentary Action	Red
M/P 34840/G			Green
M/P 34840/N			Black
M/P 34841/R	Button (Shrouded)/Spring	Momentary Action	Red
M/P 34841/G			Green
M/P 34841/N			Black
M/P 34842/R	Button (Mushroom)/Spring	Momentary Action	Red
M/P 34842/G			Green
M/P 34842/N			Black
M/P 34862	Emergency Stop Button/Key	Maintained Action	Red
M/P 34846	Switch/Switch	Maintained Action	-
M/P 34843	Rotary Knob/Rotary Knob	Maintained Action	-
M/P 34845	Key/Key	Maintained Action	-



G¹/₈ 5/2 & 5/3 Manual Valves

Symbol	Model	Colour	Operator	Mid-position	Return	Weight (kg)	Spares kit	Page no.
	X3 0444 02	Black	Button (Palm)	-	Spring	0,260	03 8408 02	25
	X3 0445 02	Green						
	X3 0446 02	Red						
	X3 0386 02	Red	Button (Palm)	-	Spring	0,400	03 8408 02	25
	X3 0387 02	Green						
X3 0388 02	Black							
	X3 0454 02	Black	Button (Shrouded)	-	Spring	0,320	03 8408 02	25
	X3 0455 02	Green						
	X3 0456 02	Red						
	X3 0448 02	Black	Button (Palm)	-	Pilot	0,340	03 8408 02	25
	X3 0460 02	Green						
	X3 0461 02	Red						
	X3 0465 02	Black	Knob, push	-	Knob, Pull	0,280	03 8408 02	28
	X3 0297 02	Red	Emergency Stop	-	Spring	0,337	03 8408 02	26
	X3 0468 02	Red	Emergency Stop	-	Twist Ring	0,540	03 8473 02	26
	X3 0375 02	Red	Palm Button, push	-	Key	0,480	03 8408 02	26
	X3 0478 02	Black	Lever	-	Spring	0,400	03 8408 02	27
	X3 0466 02	Black	Lever	-	Spring	0,350	03 8408 02	27
	X3 0443 02	Black	Lever	-	Lever	0,270	03 8408 02	27
	X3 0477 02	Black	Lever	-	Lever	0,400	03 8408 02	27
	X3 0296 02	Black	Lever	-	Lever	0,360	03 8408 02	26
	X3 3438 02	Black	Lever	APB	Lever	0,850	03 8408 02	27
	X3 3478 02	Black	Lever	COE	Lever	0,850	03 8408 02	27
	X3 3437 02	Black	Lever	APB	Lever	0,440	03 8408 02	27
	X3 3477 02	Black	Lever	COE	Lever	0,440	03 8408 02	27
	X3 0464 02	Black	Knob (push)	-	Knob (pull) or Pilot	0,320	03 8408 02	28
	X3 0459 02	Black	Rotary Knob	-	Rotary Knob	0,400	03 8408 02	28
	X3 0458 02 801	Chrome	Key	-	Key	0,470	03 8408 02	28
	X3 0482 02	Black	Pedal	-	Spring	1,120	03 8408 02	29
	X3 0484 02	Black	Pedal	-	Pedal	1,180	03 8408 02	29

APB = All Ports Blocked, COE = Centre Open Exhaust.



G¹/₈ 5/2 Manual Valves with Electrical Style Operating Heads

Symbol	Model	Colour	Operator	Return	Weight (kg)	Spares Kit	Page no.
	X3 0269 02	Red	Button (Palm)	Spring	0,308	03 8408 02	30
	X3 0270 02	Green					
	X3 0271 02	Black					
	X3 0263 02	Red	Button (Mushroom)	Spring	0,308	03 8408 02	30
	X3 0264 02	Green					
	X3 0265 02	Black					
	X3 0266 02	Red	Button (Shrouded)	Spring	0,301	03 8408 02	30
	X3 0267 02	Green					
	X3 0268 02	Black					
	X3 0272 02	Red	Button	Key	0,329	03 8408 02	30
	X3 0273 02	-	Switch	Switch	0,340	03 8408 02	31
	X3 0261 02	Black	Rotary knob	Rotary knob	0,316	03 8408 02	29
	X3 0262 02	-	Key	Key	0,386	03 8408 02	29

G¹/₈ 5/2 Adapter valve

Symbol	Model	Colour	Operator	Return	Weight (kg)	Spares Kit	Page no.
	X3 0395 02	-	Adapter	Spring	2,21	03 8408 02	31

G¹/₄ 3/2 Manual Valves

Symbol	Model	Colour	Operator	Return	Weight (kg)	Spares kit	Page no.
	03 0604 02	Black	Button	Spring	0,350	03 8602 02	32
	03 0608 02	Black	Button	Pilot	0,420	03 8612 02	32
	03 0638 02	Black	Lever	Spring	0,480	03 8602 02	32
	03 0637 02	Black	Lever	Lever	0,490	03 8602 02	32
	03 0625 02	Black	Knob	Knob	0,370	03 8602 02	32
	03 0627 02	Black	Knob	Knob or Pilot	0,410	03 8612 02	33
	03 0681 02	Black	Pedal	Spring	1,230	03 8602 02	33
	03 0683 02	Black	Pedal	Pedal	1,270	03 8602 02	33



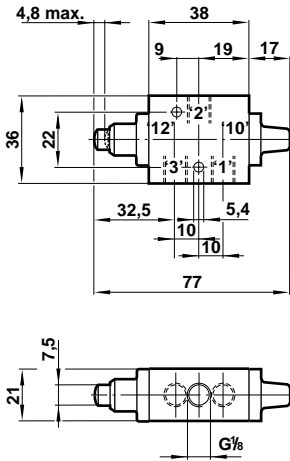
G¹/₄ 5/2 & 5/3 Manual Valves

Symbol	Model	Colour	Operator	Mid-position	Return	Weight (kg)	Spares kit	Page no.
	X3 0644 02	Black	Button	-	Spring	0,470	03 8602 02	34
	X3 0648 02	Black	Button	-	Pilot	0,540	03 8612 02	34
	X3 0678 02	Black	Lever	-	Spring	0,600	03 8602 02	34
	X3 0677 02	Black	Lever	-	Lever	0,610	03 8602 02	34
	X3 3638 02	Black	Lever	APB	Lever	1,060	03 8602 02	34
	X3 3678 02	Black	Lever	COE	Lever	1,060	03 8602 02	34
	X3 3637 02	Black	Lever	APB	Lever	0,650	03 8602 02	34
	X3 3677 02	Black	Lever	COE	Lever	0,650	03 8602 02	34
	X3 0665 02	Black	Knob	-	Knob	0,490	03 8602 02	35
	X3 0682 02	Black	Pedal	-	Spring	1,330	03 8602 02	35
	X3 0684 02	Black	Pedal	-	Pedal	1,390	03 8602 02	35

APB = All Ports Blocked, COE = Centre Open Exhaust.

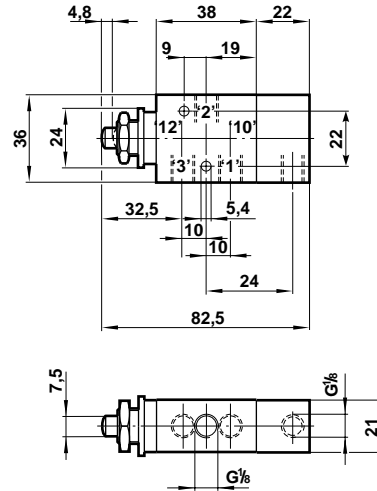


03 0400 02
G¹/₈ 3/2 Plunger Actuated Spring Return Valve



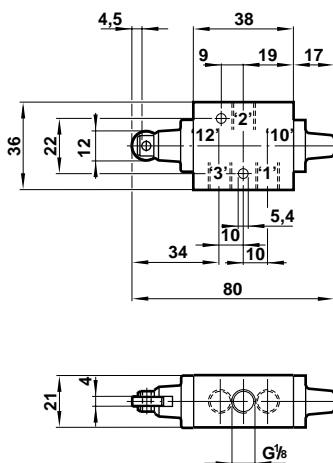
Operating Force: 31N
The plunger on this valve is designed for axial loading only.

03 0417 02
G¹/₈ 3/2 Plunger Actuated Pilot Return Valve



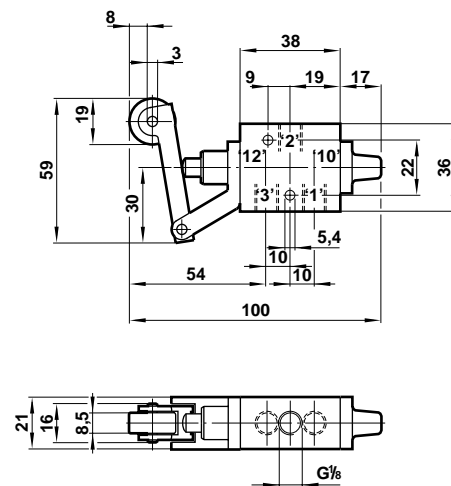
Operating Force: 18N, '10' at zero bar
Reset Pressure: 2 bar minimum; Full Movement: 4.8mm
The plunger on this valve is designed for axial loading only. This valve can be panel mounted.
Panel Cut-out: Ø15; Panel thickness: 5mm

03 0402 02
G¹/₈ 3/2 Roller Actuated Spring Return Valve



Operating Force: 31N
Maximum Recommended Cam Rise: 4.5 mm
Cam Angle of Approach: 30° maximum
Cam Speed: 8 m/min. maximum
Operating Speed: 300 cpm

03 0411 02
G¹/₈ 3/2 Roller Lever Actuated Spring Return Valve

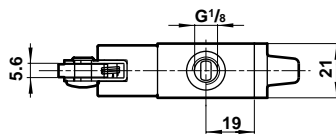
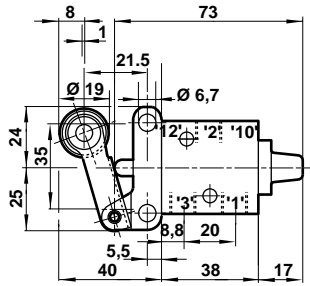


Operating Force: 18N; Operating Travel: 8 mm
Over-travel: 3mm
Cam Angle of Approach: 45° maximum
Cam Speed: 8 m/min. maximum
Operating Speed: 300 cpm

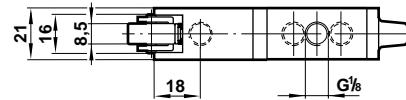
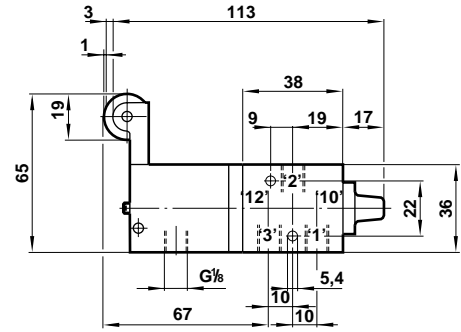


03 0293 02
G¹/₈ 3/2 Heavy Duty Roller Lever Actuated Spring
Return Valve

03 0423 02
G¹/₈ 3/2 Sensitive Roller Lever Actuated Spring
Return Valve



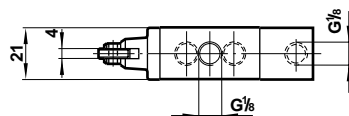
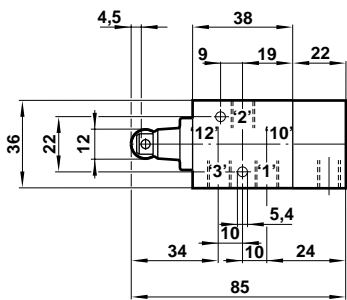
Operating Force: 18N; Operating Travel: 8 mm
 Over-travel: 1mm
 Cam Angle of Approach: 45° maximum
 Cam Speed: 8 m/min. maximum
 Operating Speed: 300 cpm



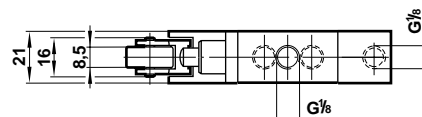
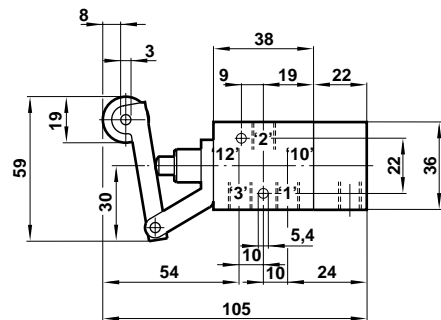
Operating Force: 1N
 Constant Pilot Supply: 2 bar minimum
 Pre-travel: 1 mm; Over-travel: 3 mm
 Cam Angle of Approach: 45° maximum
 Cam Speed: 6,5 m/min. maximum

03 0409 02
G¹/₈ 3/2 Roller Actuated Pilot Return Valve

03 0427 02
G¹/₈ 3/2 Roller Lever Actuated Pilot Return Valve



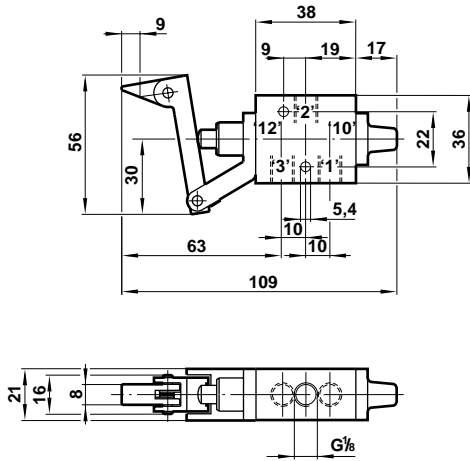
Operating Force: 18N, '10' at zero bar
 Reset Pressure: 2 bar minimum
 Maximum Recommended Cam Rise: 4.5 mm
 Cam Angle of Approach: 30° maximum
 Cam Speed: 8 m/min. maximum
 Operating Speed: 300 cpm



Operating Force: 9N, '10' at zero bar
 Reset Pressure: 2 bar minimum
 Operating travel: 8 mm; Over-travel: 3 mm
 Cam Angle of Approach: 45° maximum
 Cam Speed: 8 m/min. maximum
 Operating Speed: 300 cpm

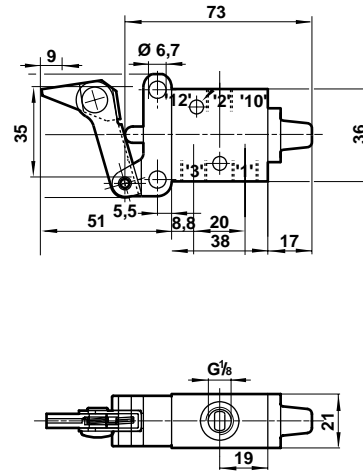


03 0410 02
G¹/₈ 3/2 One-way Trip Actuated Spring Return Valve



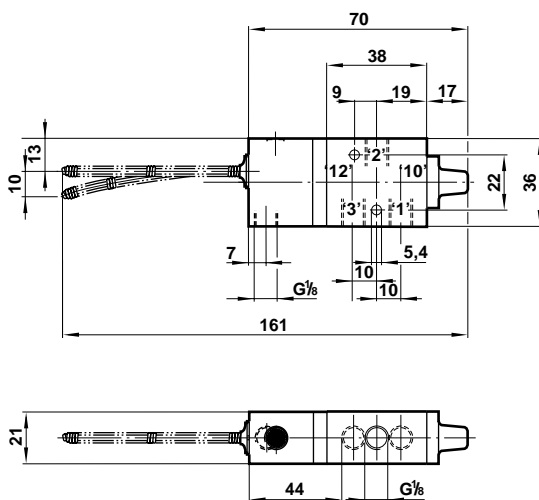
Operating Force: 31N
Cam Rise: 9 mm
Cam Angle of Approach: 90° maximum
Cam Speed: 2 m/min. maximum
Operating Speed: 120 cpm

03 0294 02
G¹/₈ 3/2 Heavy Duty One Way Trip Actuated Spring Return Valve



Operating Force: 31N
Cam Rise: 9 mm
Cam Angle of Approach: 90° maximum
Cam Speed: 2 m/min. maximum
Operating Speed: 120 cpm

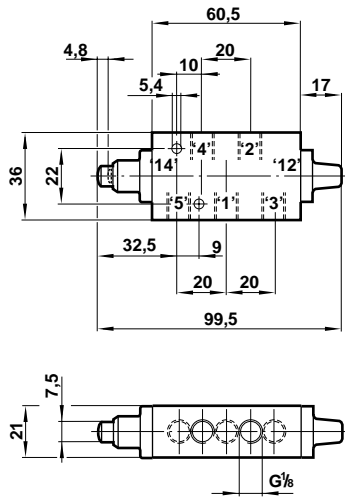
03 0432 02
G¹/₈ 3/2 Antenna Actuated Spring Return Valve



Operating Force: 0,3N at tip
Constant Pilot Supply: 2 bar minimum
Operating Movement: 10 mm minimum in any direction.

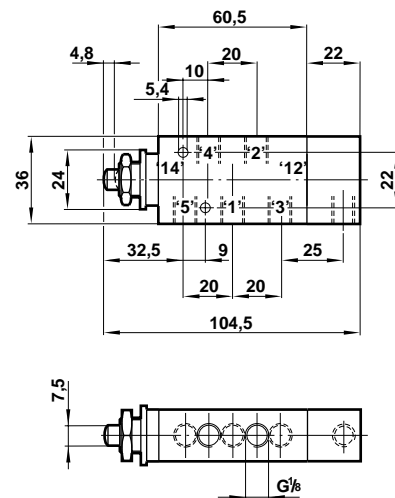


X3 0440 02
G¹/₈ 5/2 Plunger Actuated Spring Return Valve



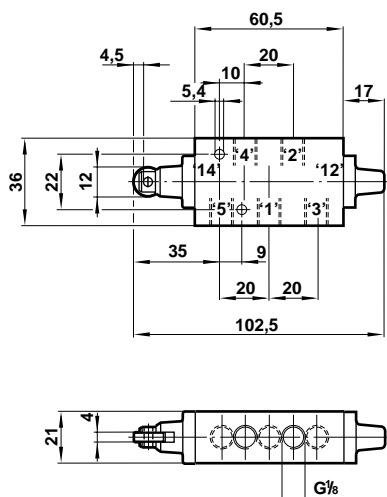
Operating Force: 54N
 Full Movement: 4,8 mm
 The plunger on this valve is designed for axial loading only.

X3 0457 02
G¹/₈ 5/2 Plunger Actuated Pilot Return Valve



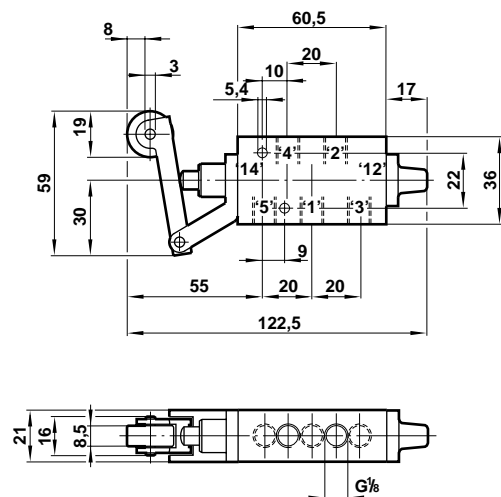
Operating Force: 22N, '12' at zero bar
 Reset Pressure: 2 bar minimum; Full Movement: 4,8 mm
 The plunger on this valve is designed for axial mounting only. This valve can be panel mounted.
 Panel Cut-out: Ø15 mm; Maximum Panel Thickness: 5 mm

X3 0442 02
G¹/₈ 5/2 Roller Actuated Spring Return Valve



Operating Force: 54N
 Maximum Recommended Can Rise: 4,5 mm
 Cam Angle of Approach: 30° maximum
 Cam Speed: 8 m/min. maximum
 Operating Speed: 300 cpm

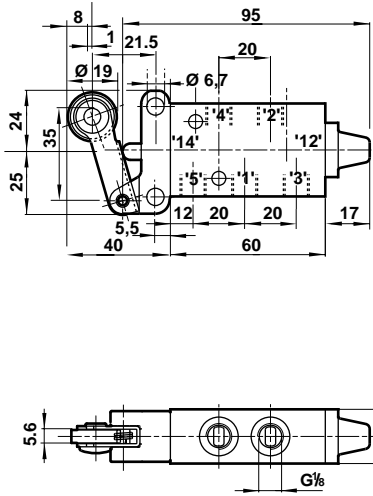
X3 0451 02
G¹/₈ 5/2 Roller Lever Actuated Spring Return Valve



Operating Force: 31N; Operating Travel: 8 mm
 Over-travel: 3mm
 Cam Angle of Approach: 45° maximum
 Cam Speed: 8 m/min. maximum
 Operating Speed: 300 cpm

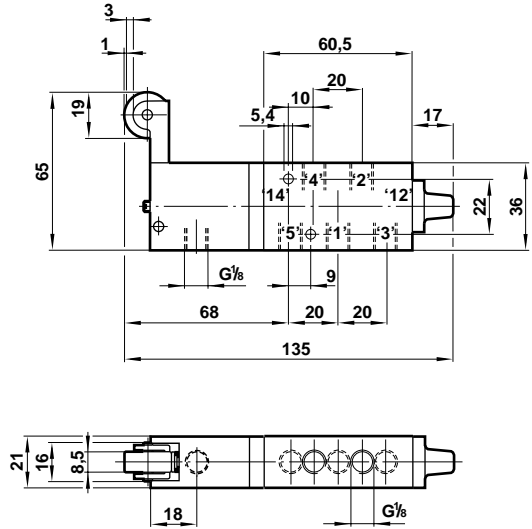


X3 0393 02
G¹/₈ 5/2 Heavy Duty Roller Lever Actuated Spring Return Valve



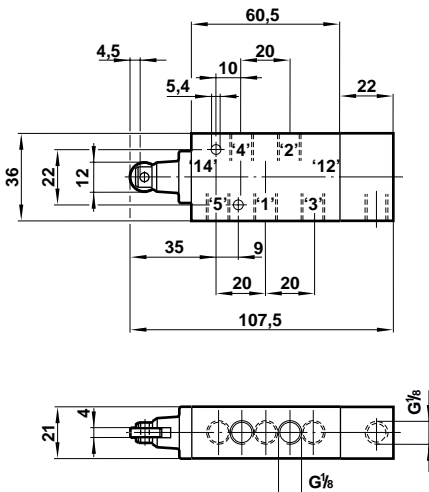
Operating Force: 31N; Operating Travel: 8 mm
Over-travel: 1mm
Cam Angle of Approach: 45° maximum
Cam Speed: 8 m/min. maximum
Operating Speed: 300 cpm

X3 0463 02
G¹/₈ 5/2 Sensitive Roller Lever Actuated Spring Return Valve



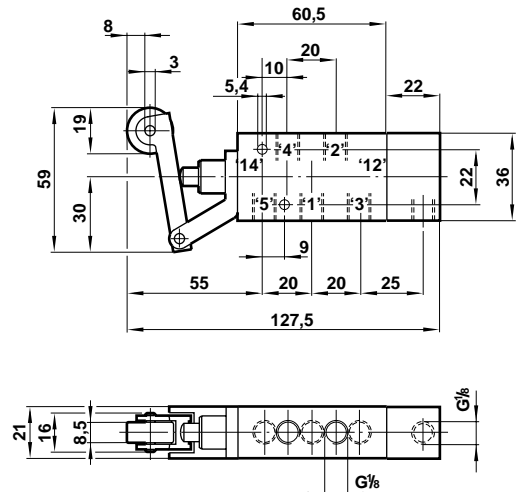
Operating Force: 1N
Constant Pilot Supply: 3 bar minimum
Pre-travel: 1 mm; Over-travel: 3mm
Cam Angle of Approach: 45° maximum
Cam Speed: 6,5 m/min. maximum

X3 0449 02
G¹/₈ 5/2 Roller Actuated Pilot Return Valve



Operating Force: 22N, '12' at zero bar
Reset Pressure: 2 bar minimum
Maximum Recommended Cam Rise: 4,5 mm
Cam Angle of Approach: 30° maximum
Cam Speed: 8 m/min. maximum
Operating Speed: 300 cpm

X3 0467 02
G¹/₈ 5/2 Roller Lever Actuated Pilot Return Valve

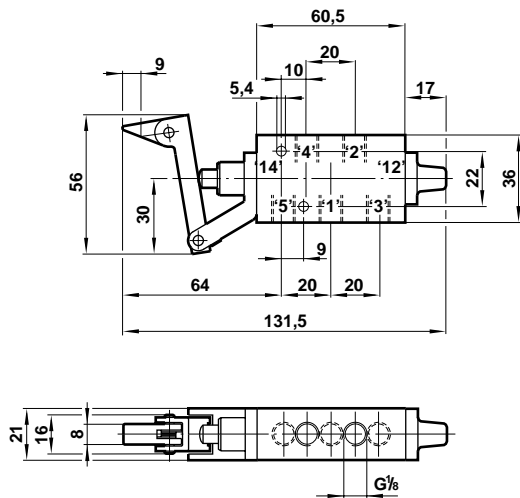


Operating Force: 9N, '12' at zero bar
Reset Pressure: 2 bar minimum
Operating Travel: 8 mm; Over-travel: 3mm
Cam Angle of Approach: 45° maximum
Cam Speed: 8 m/min. maximum
Operating Speed: 300 cpm



X3 0450 02

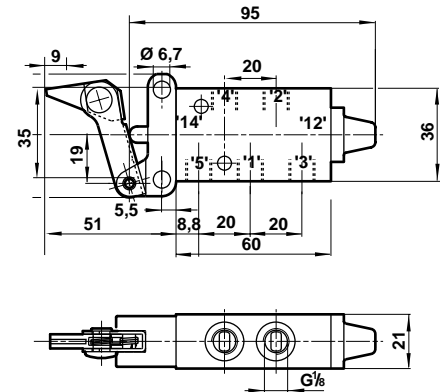
G¹/₈ 5/2 One-way Trip Actuated Spring Return Valve



Operating Force: 31N
Cam Rise: 9mm
Cam Angle of Approach: 90° maximum
Cam Speed: 2 m/min. maximum
Operating Speed: 120 cpm

X3 0394 02

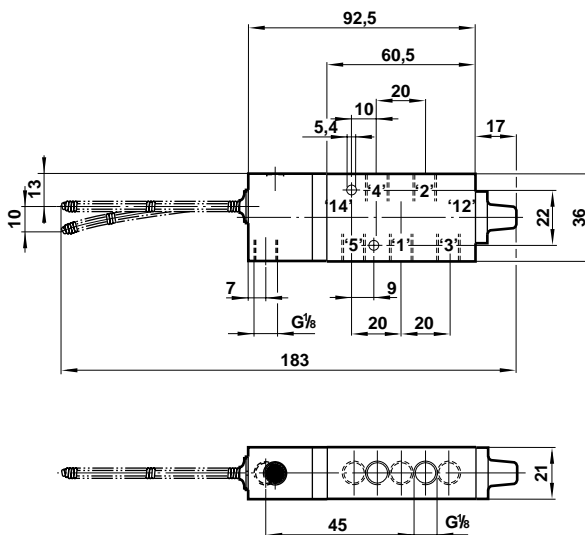
G¹/₈ 5/2 Heavy Duty One Way Trip Actuated Spring Valve



Operating Force: 31N
Cam Rise: 9mm
Cam Angle of Approach: 90° maximum
Cam Speed: 2 m/min. maximum
Operating Speed: 120 cpm

X3 0472 02

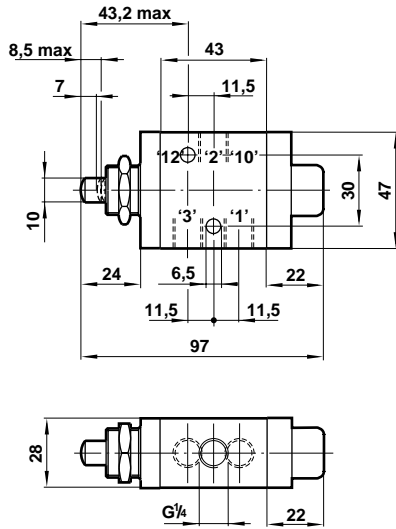
G¹/₈ 5/2 Antenna Actuated Spring Return Valve



Operating Force: 0,3N at tip
Constant Pilot Supply: 3 bar minimum
Operating Movement: 10 mm minimum in any direction

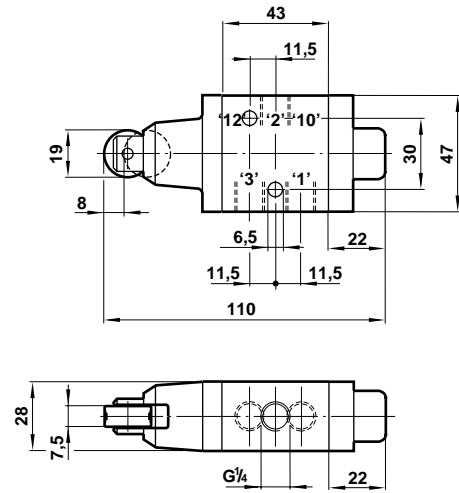


03 0600 02
G^{1/4} 3/2 Plunger Actuated Spring Return Valve



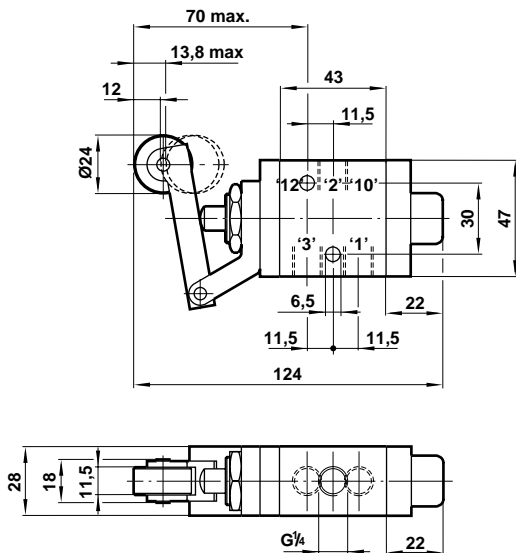
Operating Force: 53N
The plunger on this valve is designed for axial loading only.

03 0602 02
G^{1/4} 3/2 Roller Actuated Spring Return Valve



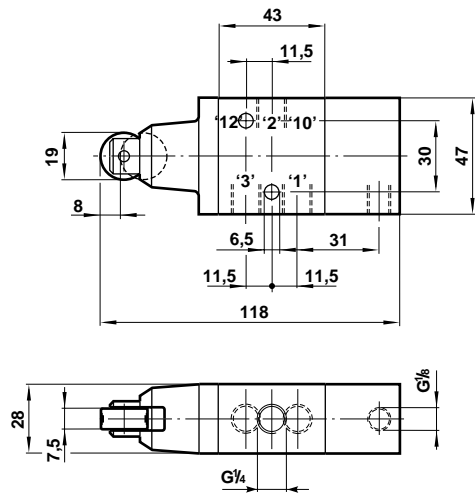
Operating Force: 61N
Cam Angle of Approach: 45° maximum
Cam Speed: 6 m/min. maximum
Operating Speed: 200 cpm

03 0611 02
G^{1/4} 3/2 Roller Lever Actuated Spring Return Valve



Operating Force: 45N
Cam Angle of Approach: 45° maximum
Cam Speed: 5 m/min. maximum
Operating Speed: 150 cpm

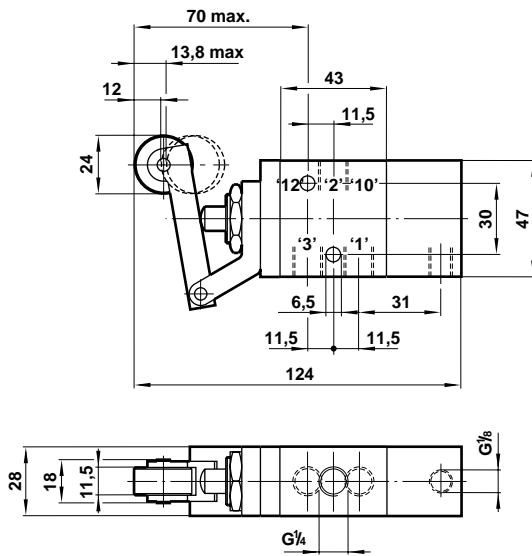
03 0609 02
G^{1/4} 3/2 Roller Actuated Pilot Return Valve



Operating Force: 13N, '10' at zero bar
Reset Pressure: 2 bar minimum
Cam Angle of Approach: 45° maximum
Cam Speed: 6 m/min. maximum
Operating Speed: 200 cpm



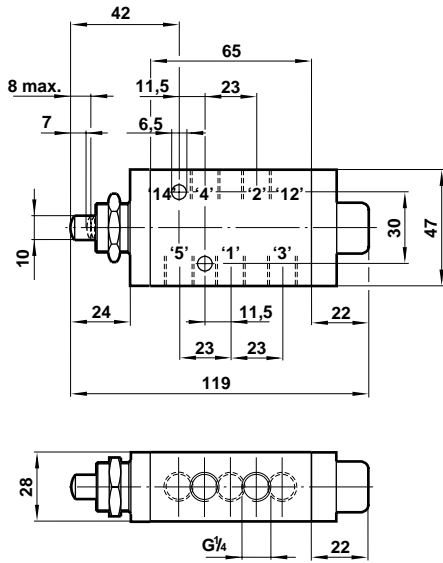
03 0624 02

G^{1/4} 3/2 Roller Lever Actuated Pilot Return Valve

Operating Force: 9N, '10' at zero bar
Reset Pressure: 2 bar minimum
Cam Angle of Approach: 45° maximum
Cam Speed: 5 m/min. maximum
Operating Speed: 150 cpm

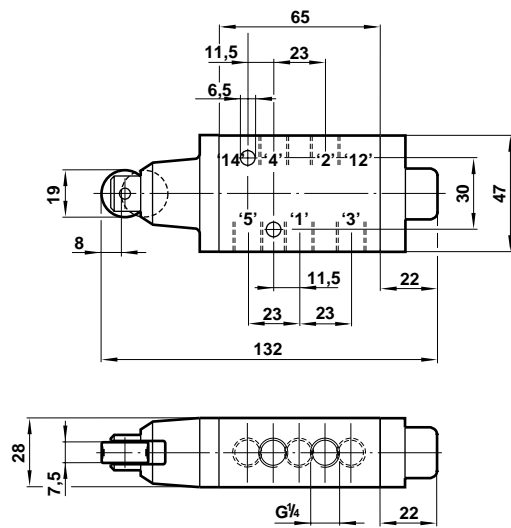


X3 0640 02
G¹/₄ 5/2 Plunger Actuated Spring Return Valve



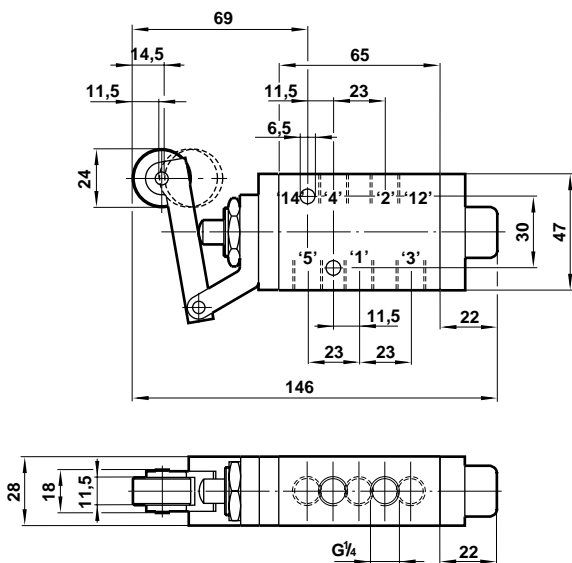
Operating Force: 62N
The plunger on this valve is designed for axial loading only.

X3 0642 02
G¹/₄ 5/2 Roller Actuated Spring Return Valve



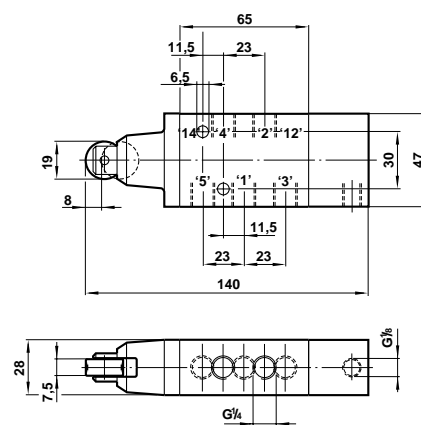
Operating Force: 67N
Cam Angle of Approach: 45° maximum
Cam Speed: 6 m/min. maximum
Operating Speed: 200 cpm

X3 0651 02
G¹/₄ 5/2 Roller Lever Actuated Spring Return Valve



Operating Force: 45N
Cam Angle of Approach: 45° maximum
Cam Speed: 5 m/min. maximum
Operating Speed: 150 cpm

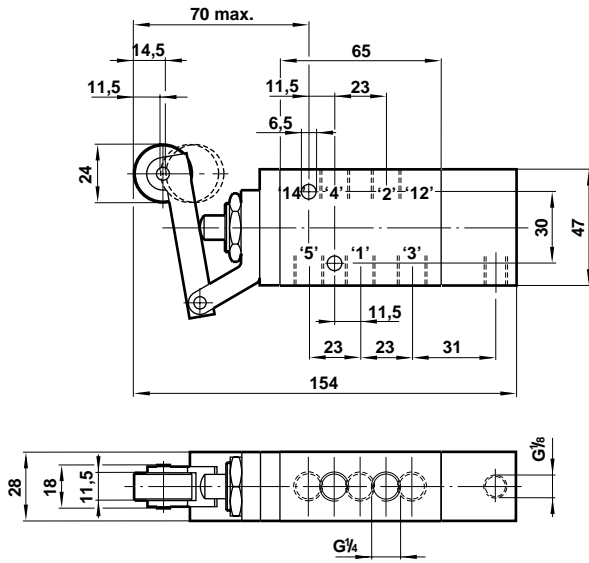
X3 0649 02
G¹/₄ 5/2 Roller Actuated Pilot Return Valve



Operating Force: 13N, '12' at zero bar
Reset Pressure: 2 bar minimum
Cam Angle of Approach: 45° maximum
Cam Speed: 6 m/min. maximum
Operating Speed: 200 cpm



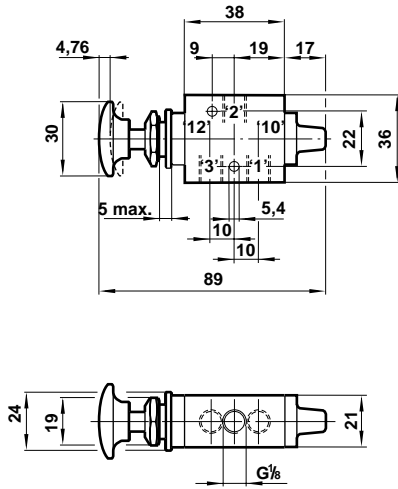
X3 0664 02

G^{1/4} 5/2 Roller Lever Actuated Pilot Return Valve

Operating Force: 9N, '12' at zero bar
 Reset Pressure: 2 bar minimum
 Cam Angle of Approach: 45° maximum
 Cam Speed: 5 m/min. maximum
 Operating Speed: 150 cpm Man G^{1/8}-5/2

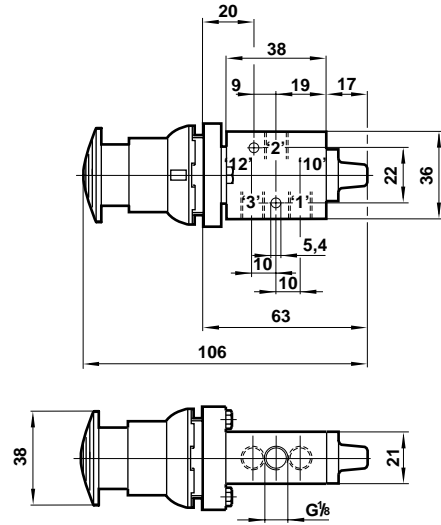


03 0404 02, 03 0405 02, 03 0406 02 Models
G^{1/8} 3/2 Button Operated Spring Return Valves



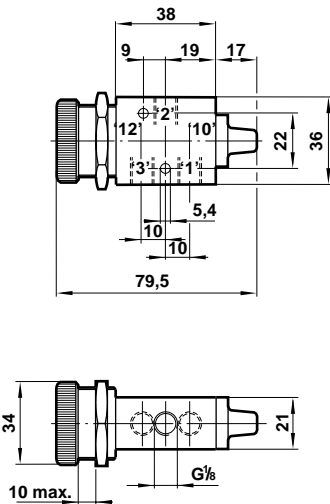
Operating Force: 31N
These valves are suitable for panel mounting by means of an optional nut and washer, reference 03 0430 00; a shrouded panel mounting kit is also available, reference 03 0429 00.
Panel Hole: Ø15 mm; Panel Thickness: 5 mm maximum

03 0366 02, 03 0367 02, 03 0368 02 Models
G^{1/8} 3/2 Button (Palm) Operated Spring Return Valves



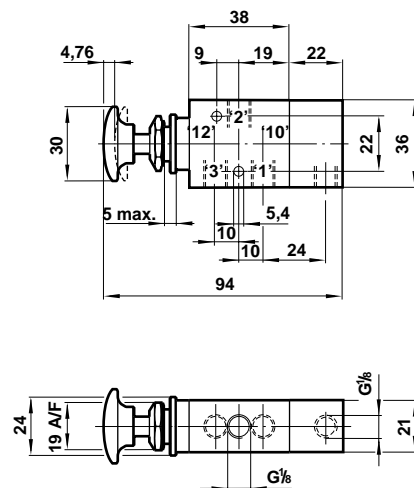
Operating Force: 31N
These valves are suitable for panel mounting.
Panel Hole: Ø32,1 mm; Panel Thickness: 6 mm maximum

03 0414 02, 03 0415 02, 03 0416 02 Models
G^{1/8} 3/2 Button (Shrouded) Operated Spring Return Valves



Operating Force: 31N
These valves are suitable for panel mounting.
Panel Hole: Ø31 mm; Panel Thickness: 10mm maximum

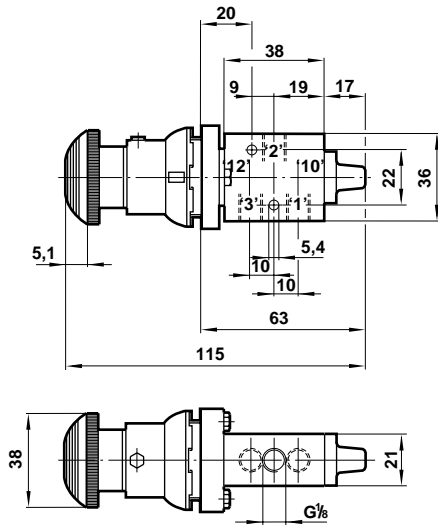
03 0408 02, 03 0420 02, 03 0421 02 Models
G^{1/8} 3/2 Button Operated Pilot Return Valve



Operating Force: 18N, pilot port '10' at zero bar
Reset Pressure: 2 bar minimum
These valves are suitable for panel mounting by means of an optional nut and washer, reference 03 0430 00; a shrouded panel mounting kit is also available, reference 03 0429 00.
Panel Hole: Ø15 mm; Panel Thickness: 5 mm maximum

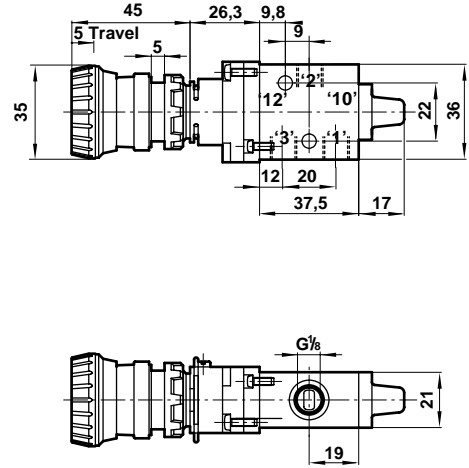


03 0428 02
G¹/₈ 3/2 Palm Button Operated, Twist Return Valve
(Emergency Stop)



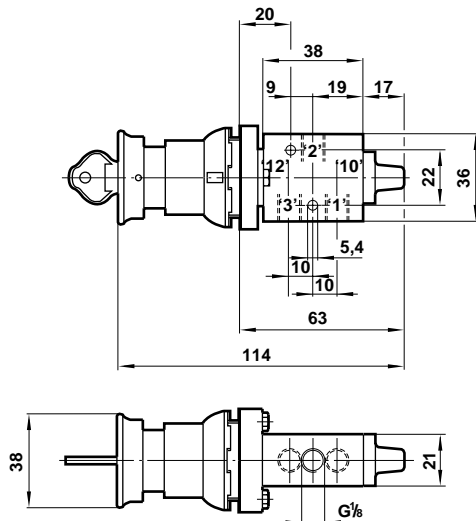
Operating Force: 18N
 Valve latches when button is depressed and returns when the locking ring is rotated anti-clockwise.
 This valve is suitable for panel mounting.
 Panel Hole: 32,1 mm; Panel Thickness: 8 mm maximum

03 0297 02
G¹/₈ 3/2 Button (Palm) Operated Spring Return Valve



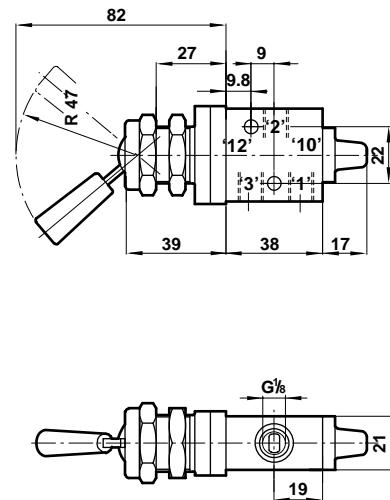
Operating Force: 70N (Return Torque: 6,8Nm)
 This valve is suitable for panel mounting.
 Panel Hole: 22,5 mm; Panel Thickness: 8 mm maximum

03 0335 02
G¹/₈ 3/2 Button (Palm) Operated Key Return Valve



Operating Force: 31N
 Valve latches when button is depressed. To reset, turn key. This valve is suitable for panel mounting.
 Panel Hole: 32,1; Panel Thickness: 6mm maximum

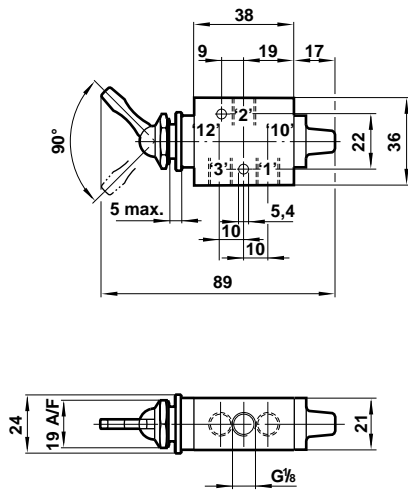
03 0296 02
G¹/₈ 3/2 Lever Operated Lever Return Valve



Operating Force: 13N
 This valve is suitable for panel mounting.
 Panel Hole: 22,5 mm; Panel Thickness: 6 mm maximum

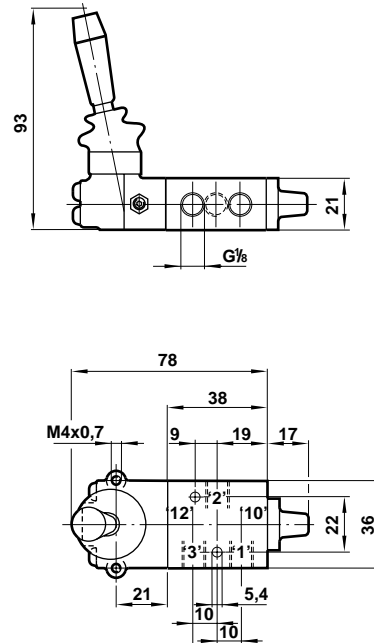


03 0403 02
G¹/₈ 3/2 Lever Operated Spring Return Valve



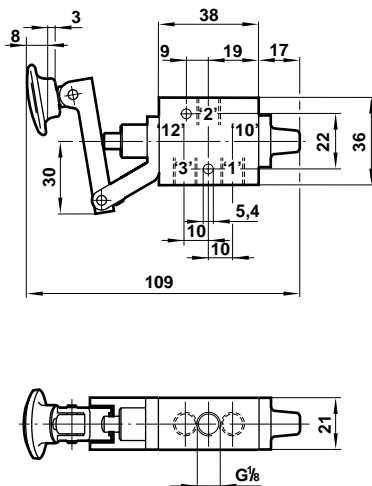
Operating Force: 28N
This valve is suitable for panel mounting. A fingertip extension is available for this valve, reference 07 0033 01.
Panel Hole: Ø15 mm; Panel Thickness: 5 mm maximum

03 0438 02 & 03 0437 02 Models
G¹/₈ 3/2 Lever Operated Spring Return Valves



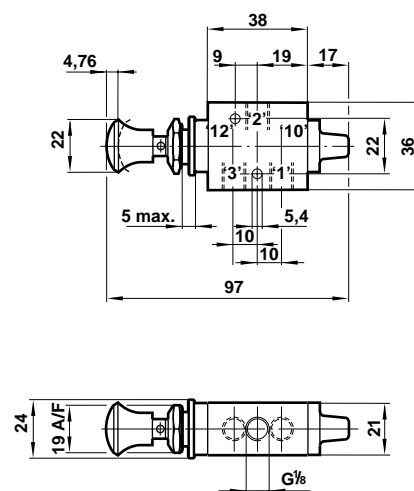
Operating Force: 9N
Model 03 0437 02 features a positive detent in each position and is suitable for panel mounting by means of a bezel kit, reference 03 3437 64.
Panel Hole: Ø24 mm
Panel Thickness: 8 mm maximum

03 0426 02
G¹/₈ 3/2 Lever Operated Spring Return Valve



Operating Force: 18N
Panel Hole: Ø24 mm; Panel Thickness: 8 mm maximum

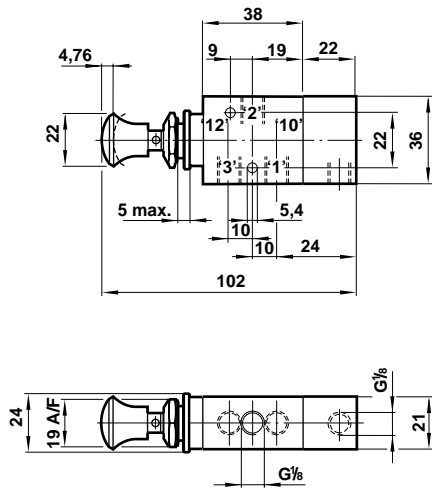
03 0425 02
G¹/₈ 3/2 Knob Operated Knob Return Valve



Operating Force: 18N
This valve is suitable for panel mounting by means of an optional nut and washer, reference 03 0430 00.
Panel Hole: Ø15 mm; Panel Thickness: 5 mm maximum

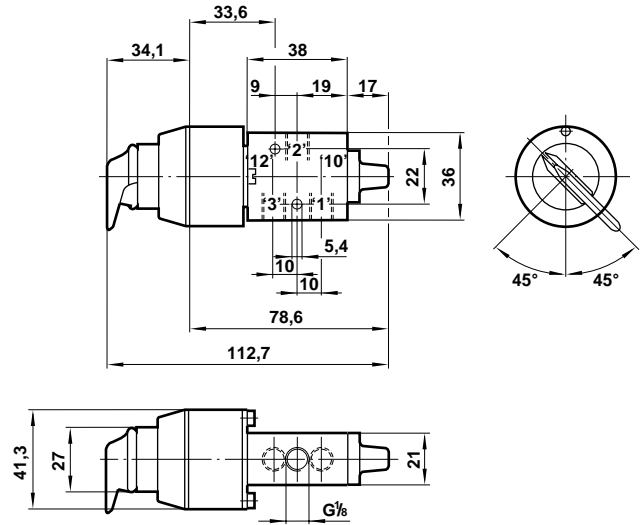


03 0424 02
G¹/₈ 3/2 Knob Operated, Knob or Pilot Return Valve



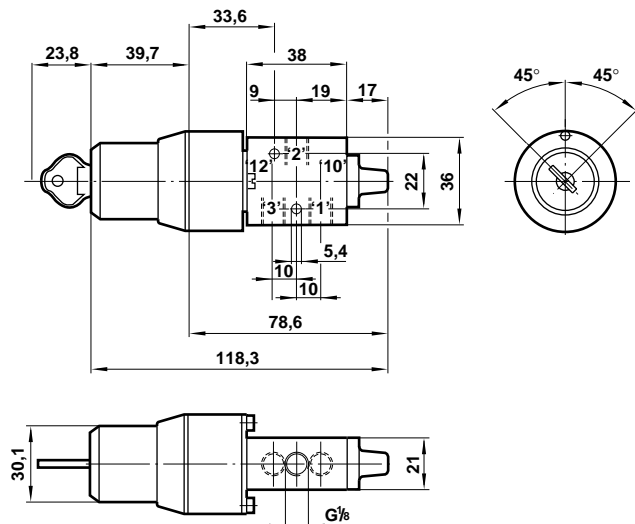
Operating Force: 18N
 Reset Pressure: 2 bar minimum
 This valve is suitable for panel mounting by means of an optional nut and washer, reference 03 0430 00.
 Panel Hole: Ø15 mm; Panel Thickness: 5 mm maximum

03 0419 02
G¹/₈ 3/2 Rotary Knob Operated Rotary Knob Return Valve



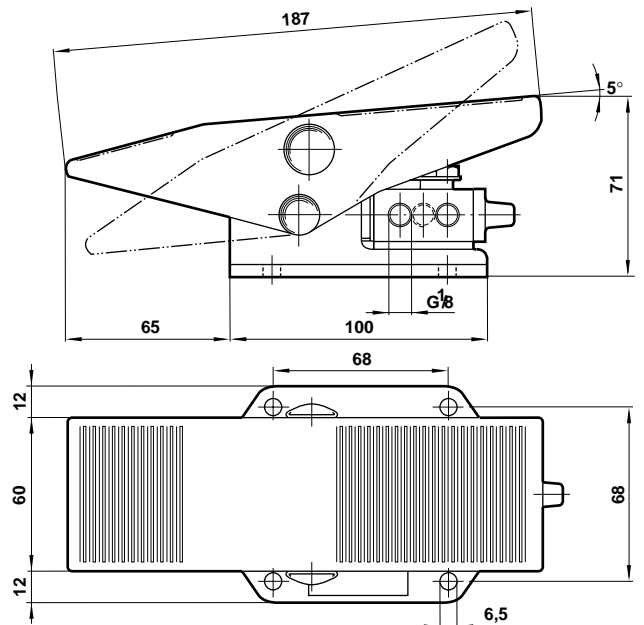
Switch shown in non-operated position
 This valve is suitable for panel mounting.
 Panel Hole: Ø32,1; Panel Thickness: 6mm maximum

03 0418 02 801
G¹/₈ 3/2 Key Operated Key Return Valve



The key is removable in both positions. Key slot shown in non-operated position. Two keys are supplied.
 This valve is suitable for panel mounting.
 Panel Hole: Ø32,1 mm
 Panel Thickness: 6 mm maximum

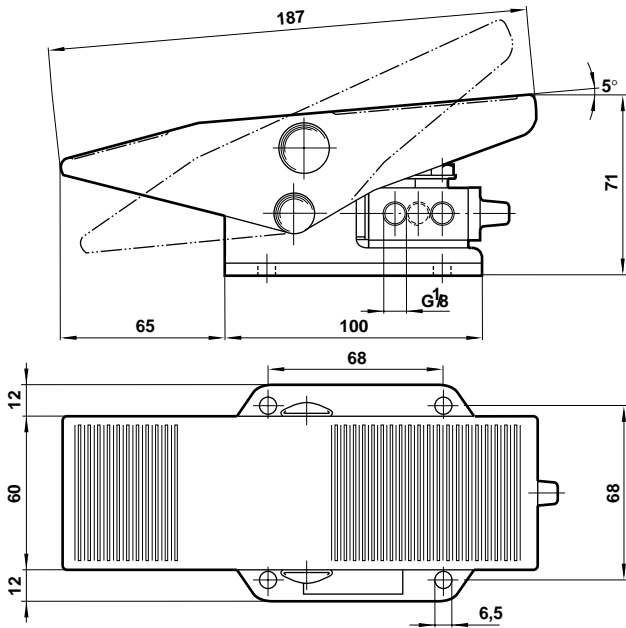
03 0481 02
G¹/₈ 3/2 Pedal Operated Spring Return Valve



Operating Force: 22N
 A foot guard is available for this valve, reference 03 0480 60.

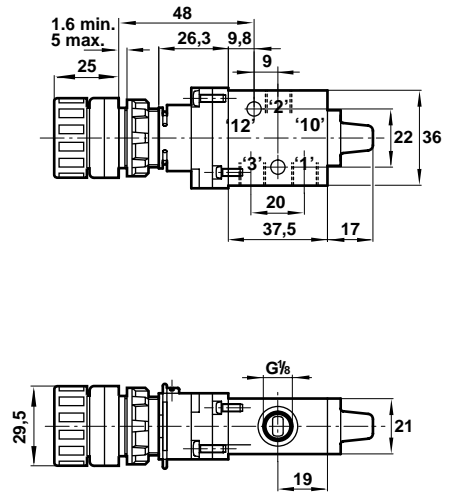


03 0483 02
G^{1/8} 3/2 Pedal Operated Pedal Return Valve



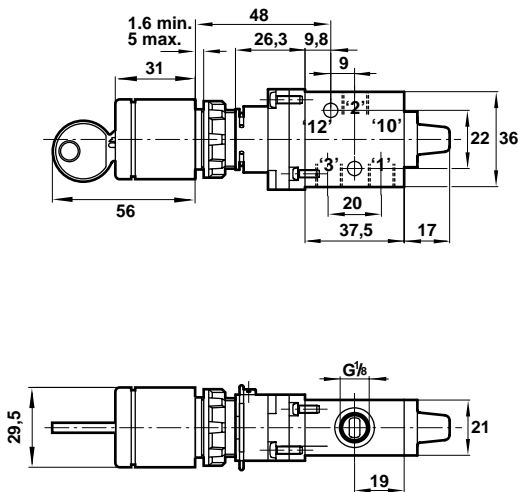
Operating Force: 22N
A foot guard is available for this valve,
reference 03 0480 60.

03 0261 02
**G^{1/8} 3/2 Electrical Style Rotary Knob Operator,
Rotary Knob Return Valve**



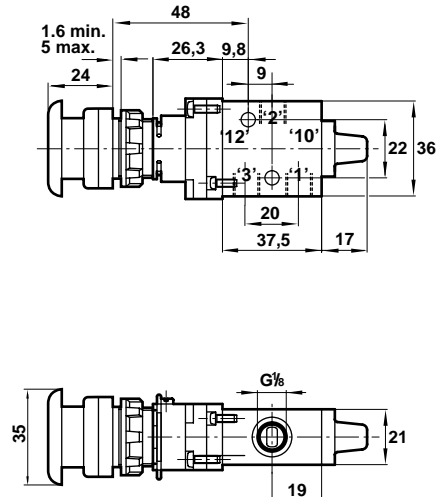
Operating Torque: 6,8Nm
Panel Hole: Ø 22,5 mm
Panel Thickness: 5 mm maximum

03 0262 02
**G^{1/8} 3/2 Electrical Style Key Operator,
Key Return Valve**



Operating Force: 6,8Nm
Panel Hole: Ø 22,5 mm
Panel Thickness: 5 mm maximum

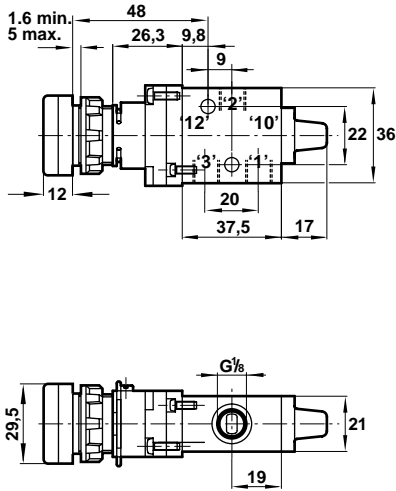
03 0263 02, 03 0264 02, 03 0265 02
**G^{1/8} 3/2 Electrical Style Push Button (Mushroom)
Operator Spring Return Valve**



Operating Force: 50N
Panel Hole: Ø 22,5 mm
Panel Thickness: 5 mm maximum

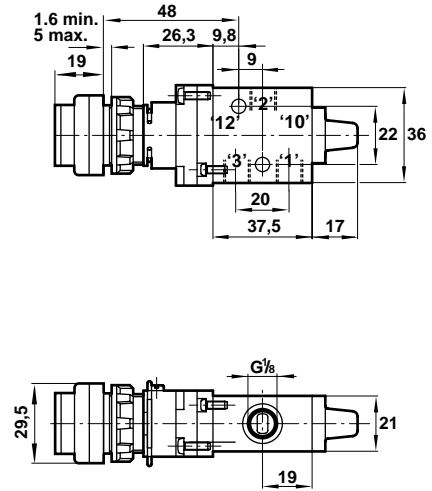


03 0266 02, 03 0267 02, 03 0268 02
G¹/₈ 3/2 Electrical Style Push Button (Shrouded)
Operator, Spring Return Valve



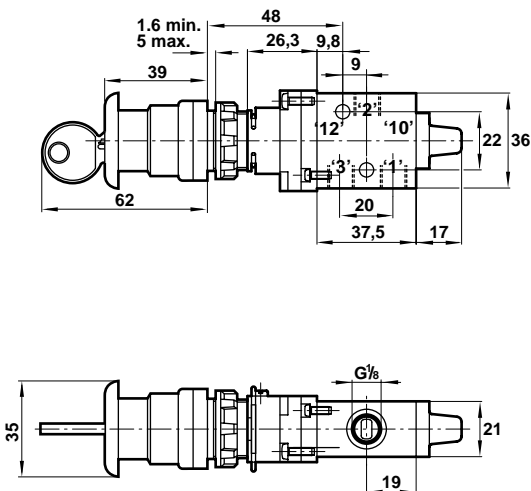
Operating Force: 50N
 Panel Hole: Ø 22,5 mm
 Panel Thickness: 5 mm maximum

03 0269 02, 03 0270 02, 03 0271 02
G¹/₈ 3/2 Electrical Style Push Button (Extended)
Operator, Spring Return Valve



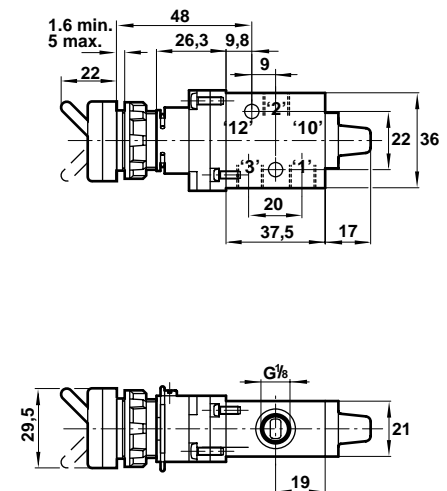
Operating Force: 50N
 Panel Hole: Ø 22,5 mm
 Panel Thickness: 5 mm maximum

03 0272 02
G¹/₈ 3/2 Electrical Style Push Button Operator,
Key Reset Valve



Operating Force: 50N
 Panel Hole: Ø 22,5 mm
 Panel Thickness: 5 mm maximum

03 0273 02
G¹/₈ 3/2 Electrical Style Switch Operator,
Switch Return Valve

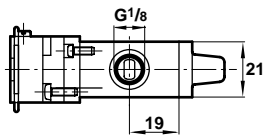
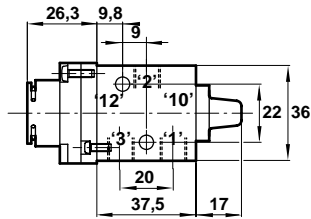


Operating Force: 40N
 Panel Hole: Ø 22,5 mm
 Panel Thickness: 5 mm maximum



03 0295 02

G¹/₈ 3/2 Adapter Valve



This valve is for use with standard electrical style Operating heads.

For details see page 36.

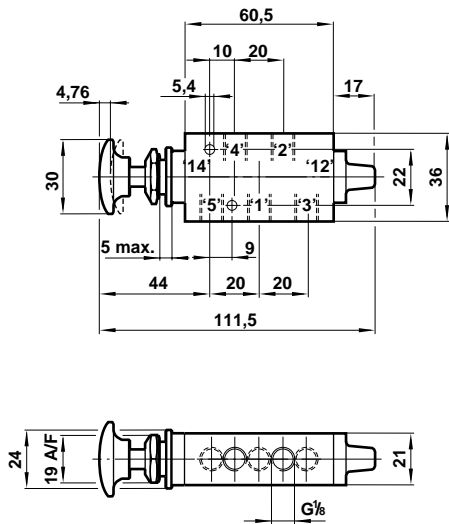
Operating Force (including Operator): see page xx

Panel Hole: Ø22,5 mm

Panel Thickness: 5 mm maximum

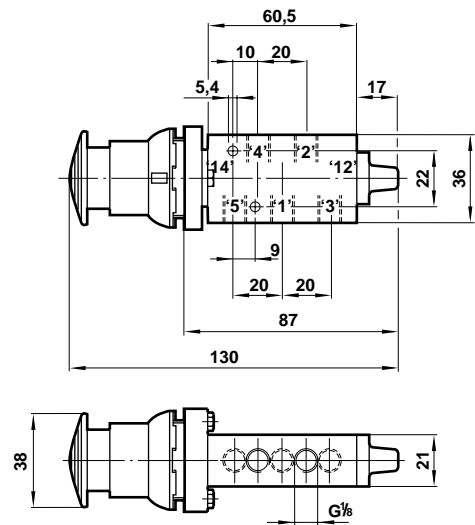


X3 0444 02, X3 0445 02, X3 0446 02
G¹/₈ 5/2 Button (Palm) Operated Spring Return Valves



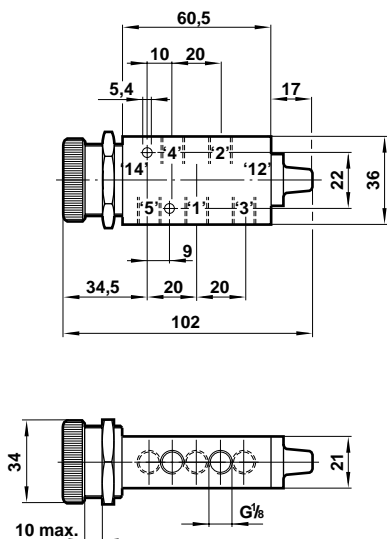
Operating Force: 54N
 These valves are suitable for panel mounting by means of an optional nut and washer, reference 03 0430 00; a shrouded panel mounting kit is also available, reference 03 0429 00.
 Panel Hole: Ø15 mm; Panel Thickness: 5mm maximum

X3 0386 02, X3 0387 02, X3 0388 02
G¹/₈ 5/2 Button (Palm) Operated Spring Return Valves



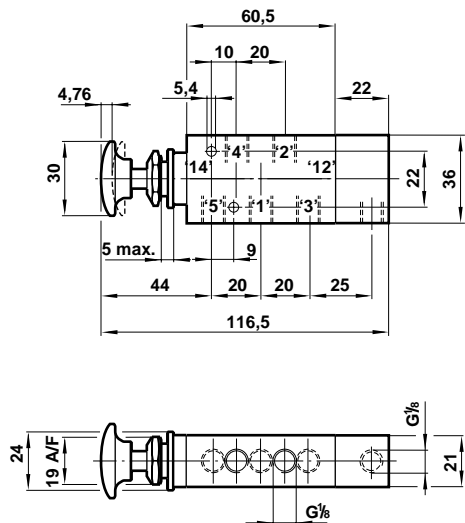
Operating Force: 31N
 These valves are suitable for panel mounting.
 Panel Hole: Ø32,1 mm
 Panel Thickness: 6 mm maximum

X3 0454 02, X3 0455 02, X3 0456 02
G¹/₈ 5/2 Button (Shrouded) Operated Spring Return Valves



Operating Force: 54N
 These valves are suitable for panel mounting.
 Panel Hole: Ø31 mm
 Panel Thickness: 10 mm maximum

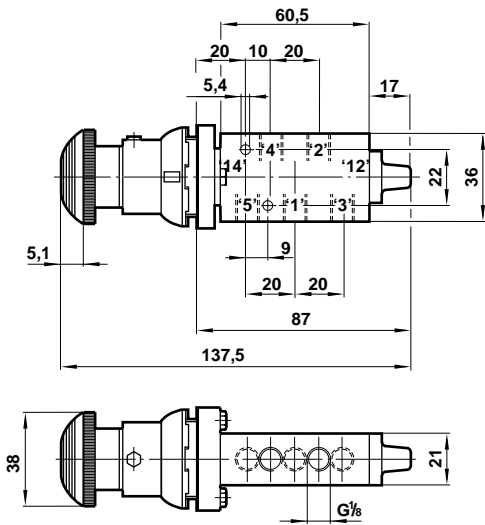
X3 0448 02, X3 0460 02, X3 0461 02
G¹/₈ 5/2 Button (Palm) Operated Pilot Return Valves



Operating Force: 22N, pilot port '12' at zero bar
 Reset Pressure: 2 bar minimum
 These valves are suitable for panel mounting by means of an optional nut and washer, reference 03 0430 00; a shrouded panel mounting kit is also available, reference 03 0429 00.
 Panel Hole: Ø15 mm; Panel Thickness: 5 mm maximum

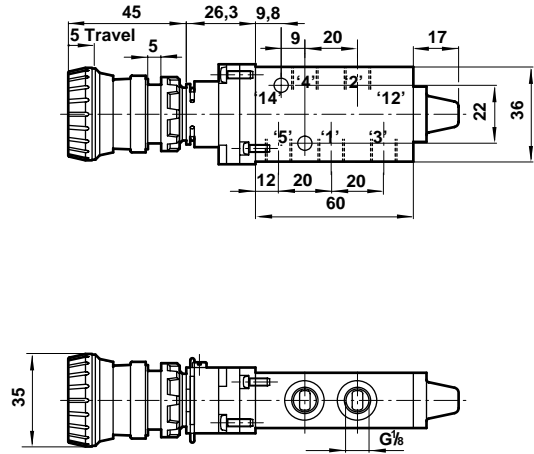


X3 0468 02
G¹/₈ 5/2 Button (Palm) Operated Twist Return Valve (Emergency Stop)



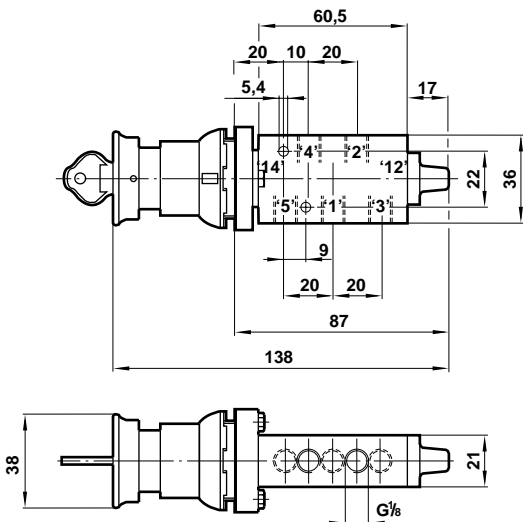
Operating Force: 18N
Valve latches when button is depressed and returns when the locking ring is rotated anti-clockwise.
This valve is suitable for panel mounting.
Panel Hole: Ø32,1; Panel thickness: 8mm maximum

X3 0297 02
G¹/₈ 5/2 Button (Palm) Operated Spring Return Valve (Emergency Stop)



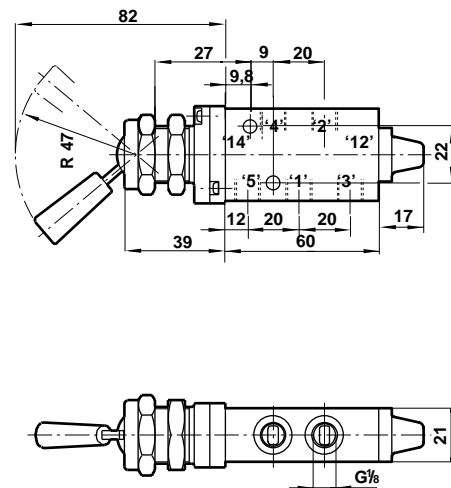
Operating Force: 70N (Return Torque: 6,8Nm)
This valve is suitable for panel mounting.
Panel Hole: 22,5 mm; Panel Thickness: 8 mm maximum

X3 0375 02
G¹/₈ 5/2 Button (Palm) Operated Key Return Valve



Operating Force: 54N
Valve latches when button is depressed. To reset, turn key. This valve is suitable for panel mounting.
Panel Hole: Ø32,1 mm
Panel Thickness: 6 mm maximum

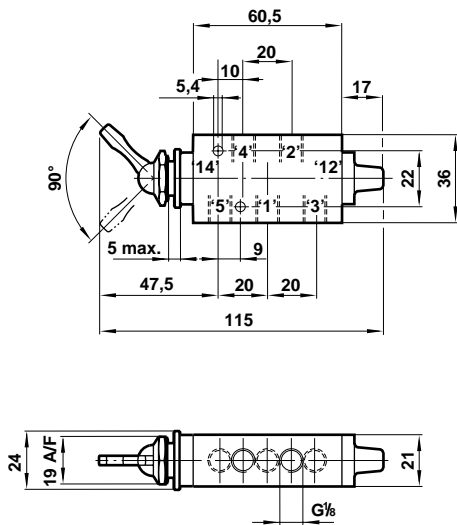
X3 0296 02
G¹/₈ 5/2 Lever Operated Lever Return Valve



Operating Force: 13N
This valve is suitable for panel mounting.
Panel Hole: 22,5 mm; Panel Thickness: 6 mm maximum

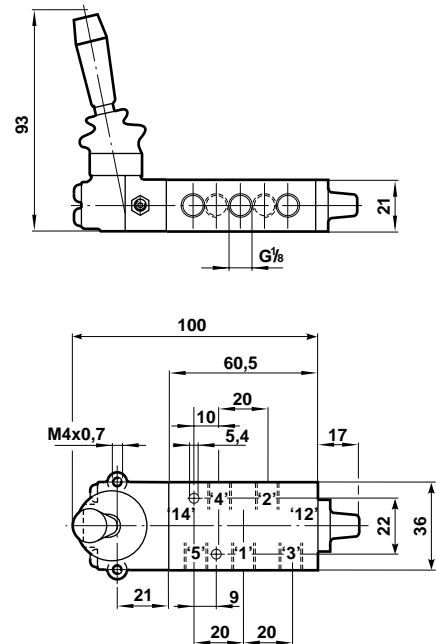


X3 0443 02
G¹/₈ 5/2 Lever Operated Spring Return Valve



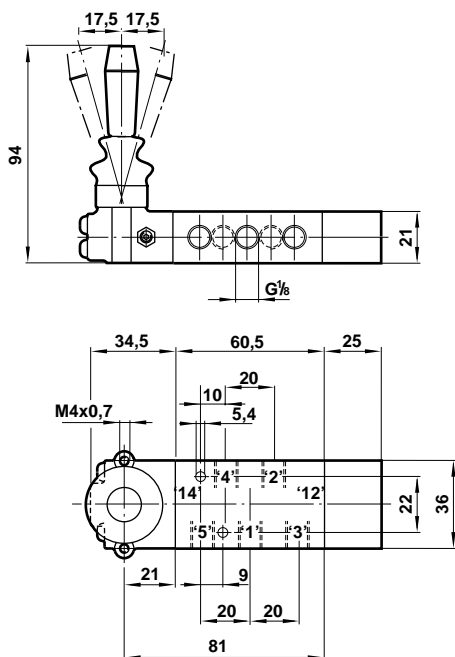
Operating Force: 48N
 This valve is suitable for panel mounting. A fingertip extension is available for use on this valve, reference 07 0033 01.
 Panel Hole: Ø15 mm; Panel thickness: 5 mm maximum

X3 0478 02, X3 0477 02
G¹/₈ 5/2 Lever Operated Valves



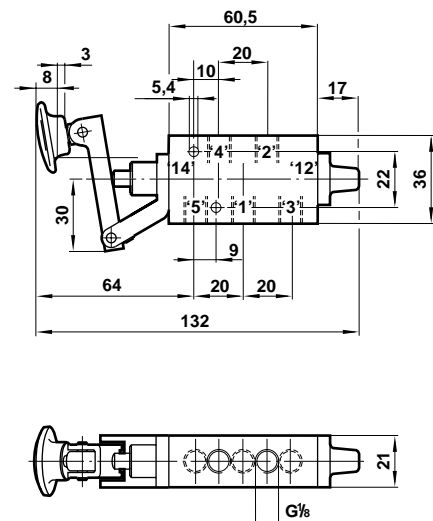
Operating Force: X3 0478 02 = 16N
 X3 0477 02 = 13N
 Both models are suitable for panel mounting by means of a bezel kit, reference 03 3437 64.
 Panel Hole: Ø24 mm; Panel Thickness: 8 mm maximum

X3 3438 02, X3 3478 02, X3 3437 02, X3 3477 02
G¹/₈ 5/2 Three Position Lever Operated Valves



Operating Force: X3 3438 02 and X3 3478 02 = 15N
 X3 3437 02 and X3 3477 02 = 12N
 All models are suitable for panel mounting, by means of a bezel kit, reference 03 3437 64.
 Panel Hole: Ø24 mm; Panel Thickness: 8mm maximum

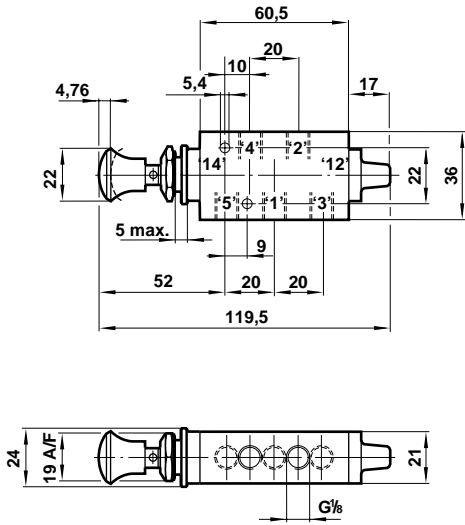
X3 0466 02
G¹/₈ 5/2 Lever Operated Spring Return Valve



Operating Force: 31N

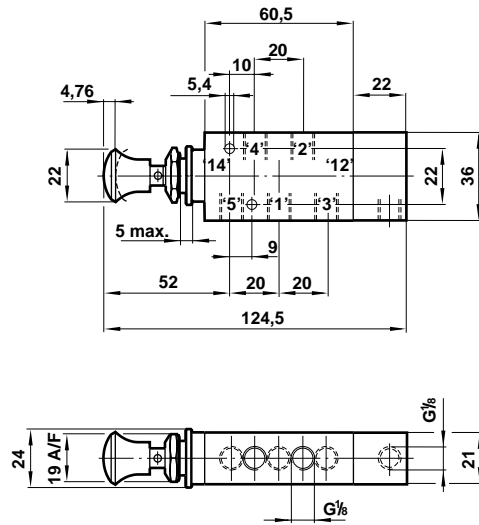


X3 0465 02
G¹/₈ 5/2 Knob Operated Knob Return Valve



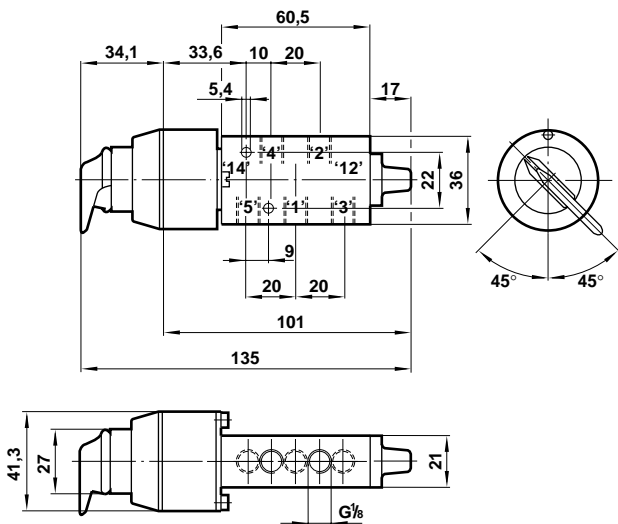
Operating Force: 22N
This valve is suitable for panel mounting by means of an optional nut and washer, reference 03 0430 00.
Panel Hole: Ø15 mm
Panel thickness: 5mm maximum

X3 0464 02
G¹/₈ 5/2 Knob Operated, Knob or Pilot Return Valve



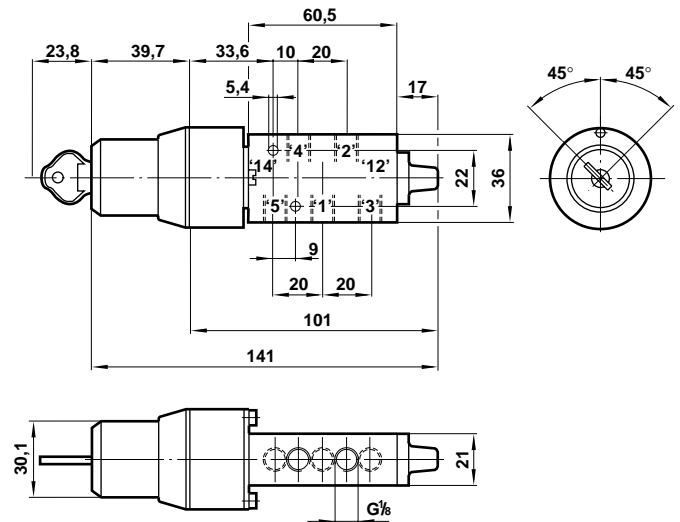
Operating Force: 22N
Reset Pressure: 2 bar minimum
This valve is suitable for panel mounting by means of an optional nut and washer, reference 03 0430 00.
Panel Hole: Ø15 mm
Panel thickness: 5mm maximum

X3 0459 02
G¹/₈ 5/2 Rotary Knob Operated Knob Return Valve



Switch shown in non-operated position.
This valve is suitable for panel mounting.
Panel Hole: Ø32 mm; Panel Thickness: 6 mm maximum

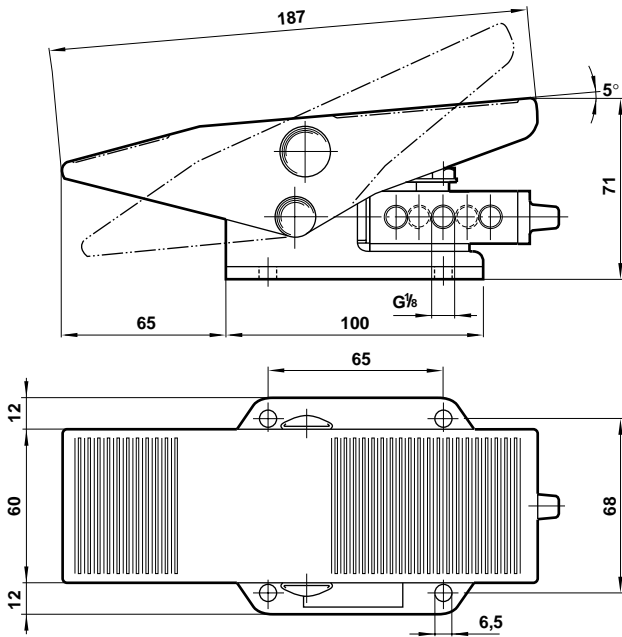
X3 0458 02 801
G¹/₈ 5/2 Key Operated Key Return Valve



The key is removable in both positions. Key slot shown in non-operated position. Two keys are supplied.
This valve is suitable for panel mounting.
Panel Hole: Ø32 mm; Panel Thickness: 6 mm maximum

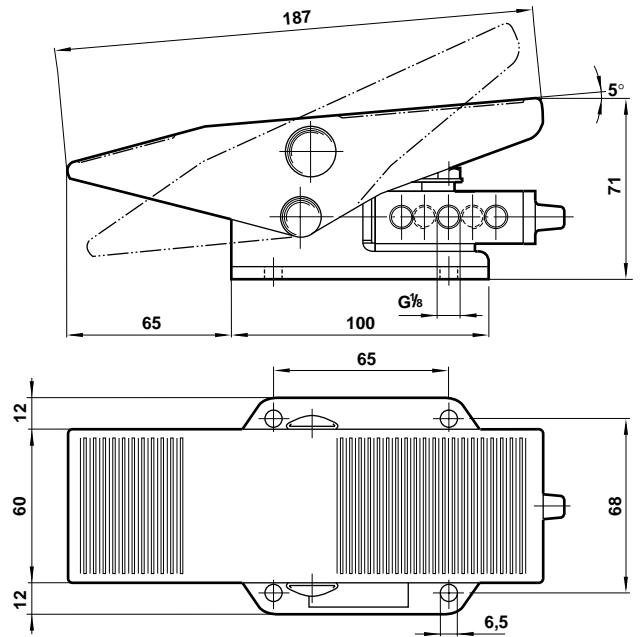


X3 0482 02
G¹/₈ 5/2 Pedal Operated Spring Return Valve



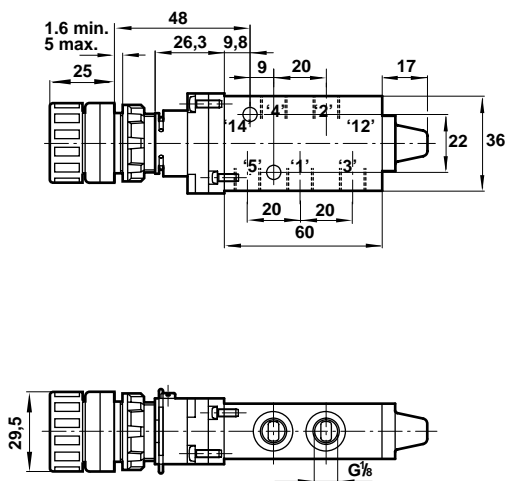
Operating Force: 22N
 A foot guard is available for this valve, reference 03 0480 60.

X3 0484 02
G¹/₈ 5/2 Pedal Operated Pedal Return Valve



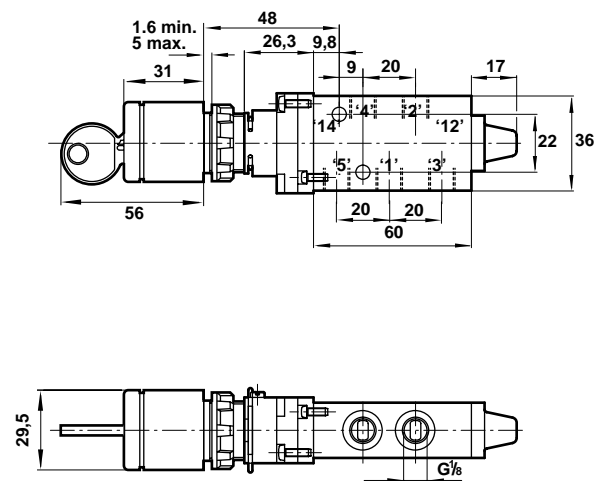
Operating Force: 22N
 A foot guard is available for this valve, reference 03 0480 60.

X3 0261 02
G¹/₈ 5/2 Electrical Style Rotary Knob Operator, Rotary Knob Return Valve



Operating Torque: 6,8Nm
 Panel Hole: Ø22,5 mm
 Panel Thickness: 5 mm maximum

X3 0262 02
G¹/₈ 5/2 Electrical Style Rotary Key Operator, Key Return Valve

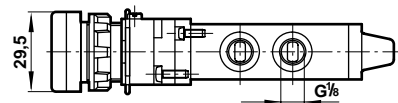
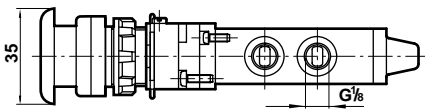
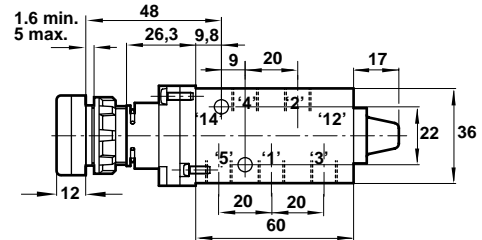
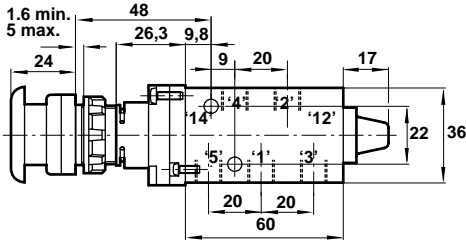


Operating Torque: 6,8Nm
 Panel Hole: Ø22,5 mm
 Panel Thickness: 5 mm maximum



X3 0263 02, X3 0264 02, X3 0265 02
G¹/₈ 5/2 Electrical Style Push Button (Mushroom)
Operator Spring Return Valve

X3 0266 02, X3 0267 02, X3 0268 02
G¹/₈ 5/2 Electrical Style Push Button (Shrouded)
Operator Spring Return Valve

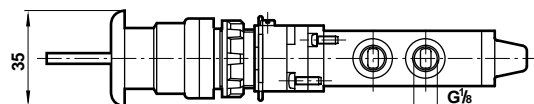
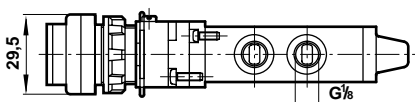
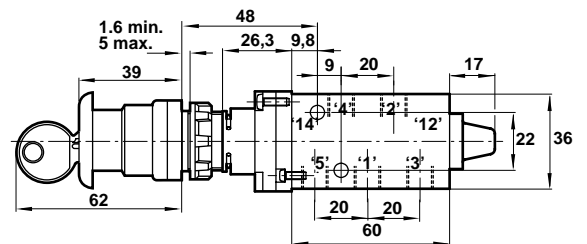
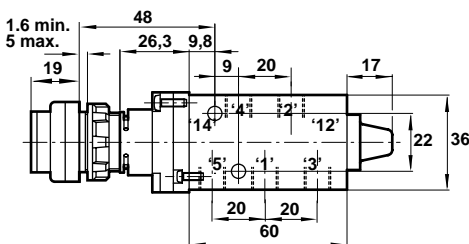


Operating Force: 50N
Panel Hole: Ø22,5 mm
Panel Thickness: 5 mm maximum

Operating Force: 50N
Panel Hole: Ø22,5 mm
Panel Thickness: 5 mm maximum

X3 0269 02, X3 0270 02, X3 0271 02
G¹/₈ 5/2 Electrical Style Push Button (Extended)
Spring Return Valve

X3 0272 02
G¹/₈ 5/2 Electrical Style
Button Operator Key Reset Valve



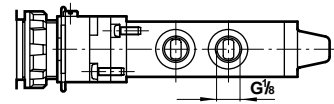
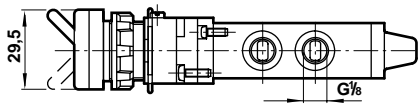
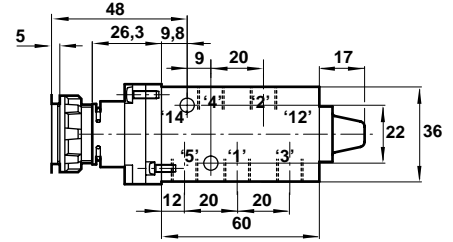
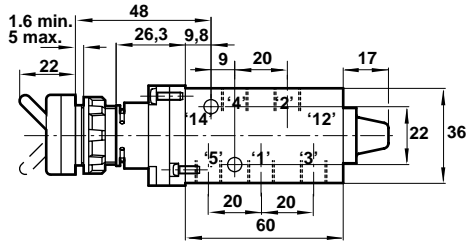
Operating Force: 50N
Panel Hole: Ø22,5 mm
Panel Thickness: 5 mm maximum

Operating Force: 50N
Panel Hole: Ø22,5 mm
Panel Thickness: 5 mm maximum



X3 0273 02
G¹/₈ 5/2 Electrical Style
Switch Operator Switch Return Valve

X3 0395 02
G¹/₈ 5/2 Adapter Valve

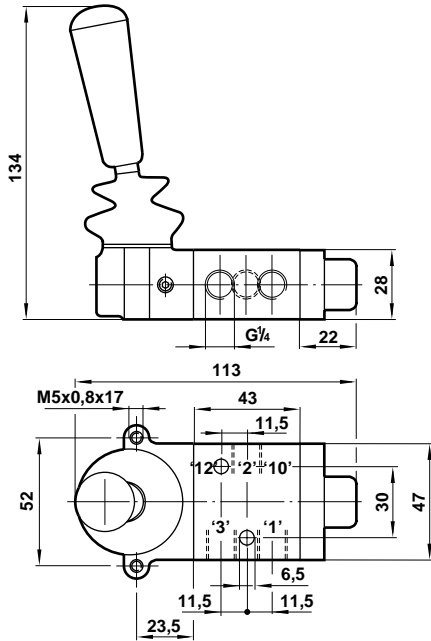


Operating Force: 40N
 Panel Hole: Ø22,5 mm
 Panel Thickness: 5 mm maximum

This valve is for use with standard Operating Heads. For details see page 5.4.081.28.
 Operating Force (Including Operator): see page 5.4.081.28.
 Panel Hole: Ø22,5 mm; Panel thickness: 5 mm maximum



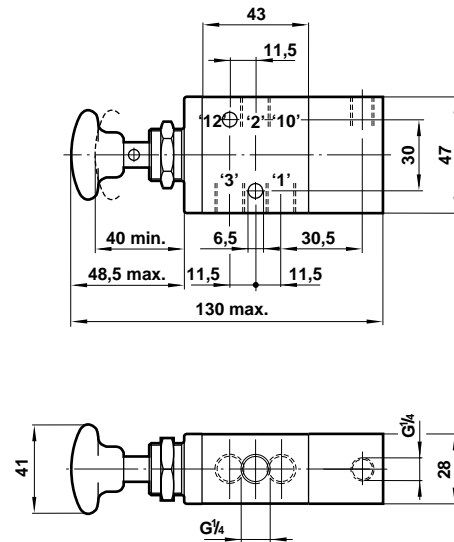
03 0638 02, 03 0637 02
G^{1/4} 3/2 Lever Operated Valves



Operating Force: 03 0638 02 = 15N
03 0637 02 = 13N

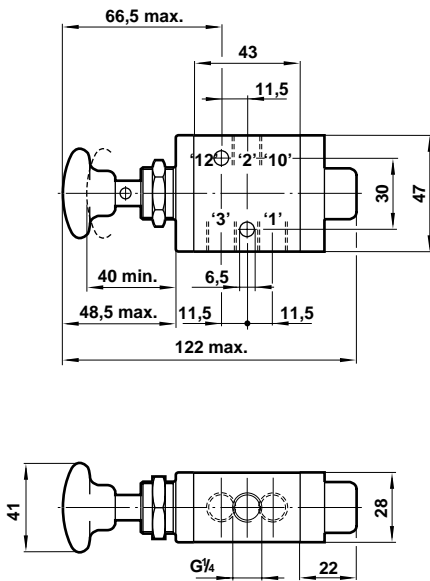
Model 03 0637 02 features a positive detent in each position.
Both Models are suitable for panel mounting by means of a bezel kit, reference 03 3637 64.
Panel Hole: Ø31 mm;
Panel Thickness: 8 mm maximum

03 0608 02
G^{1/4} 3/2 Button Operated Pilot Return Valve



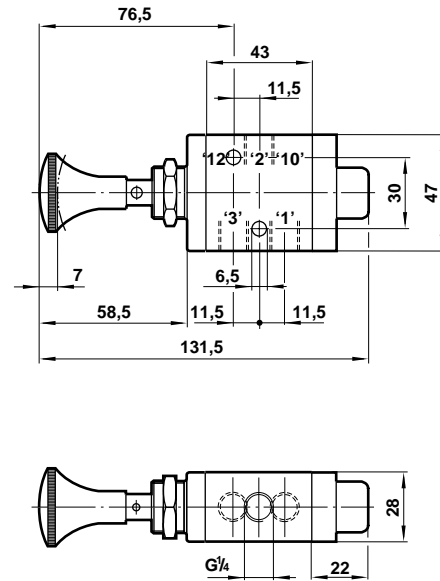
Operating Force: 13N, pilot port '10' at zero bar
Reset Pressure: 2 bar minimum
This valve is suitable for panel mounting and includes a nut and washer.
Panel Hole: Ø21 mm; Panel thickness: 8mm maximum

03 0604 02
G^{1/4} 3/2 Button Operated Spring Return Valve



Operating Force: 53N
This valve is suitable for panel mounting and includes a nut and washer.
Panel Hole: Ø21 mm; Panel Thickness: 8 mm maximum

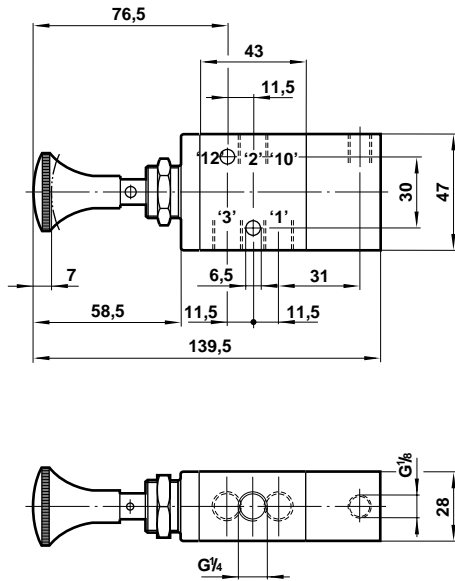
03 0625 02
G^{1/4} 3/2 Knob Operated Knob Return Valve



Operating Force: 13N
This valve is suitable for panel mounting and includes a nut and washer.
Panel Hole: Ø21 mm; Panel Thickness: 8 mm maximum

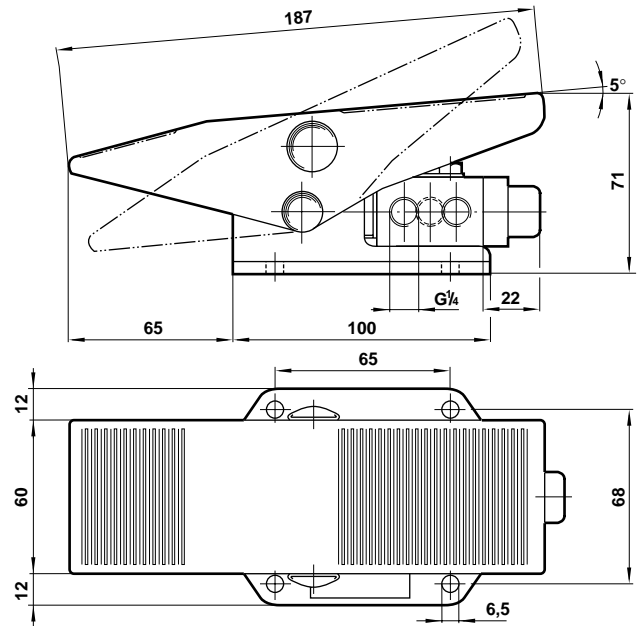


03 0627 02
G¹/₄ 3/2 Knob Operated, Knob or Pilot Return Valve



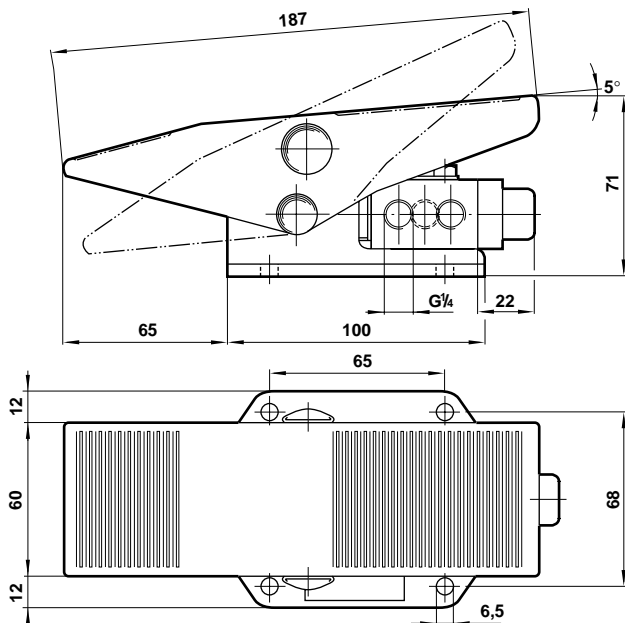
Operating Force: 13N
 Reset Pressure: 4 bar minimum
 This valve is suitable for panel mounting and includes a nut and washer.
 Panel Hole: Ø21 mm; Panel Thickness: 8 mm maximum

03 0681 02
G¹/₄ 3/2 Pedal Operated Spring Return Valve



Operating Force: 22N
 A foot guard is available for this valve, reference 03 0480 60.

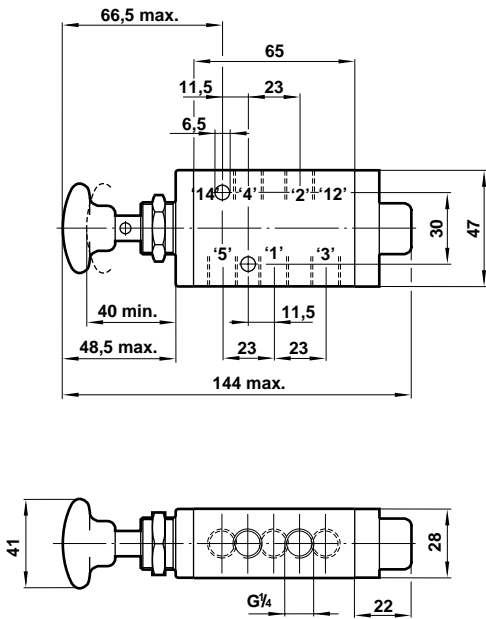
03 0683 02
G¹/₄ 3/2 Pedal Operated Pedal Return Valve



Operating Force: 22N
 A foot guard is available for this valve, reference 03 0480 60.

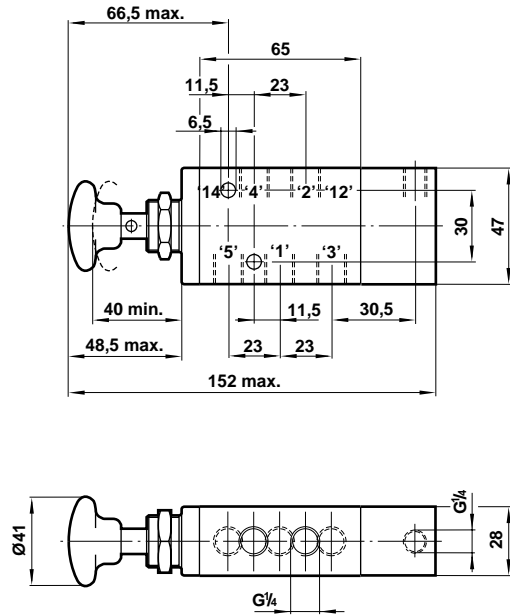


X3 0644 02
G¹/₄ 5/2 Button Operated Spring Return Valve



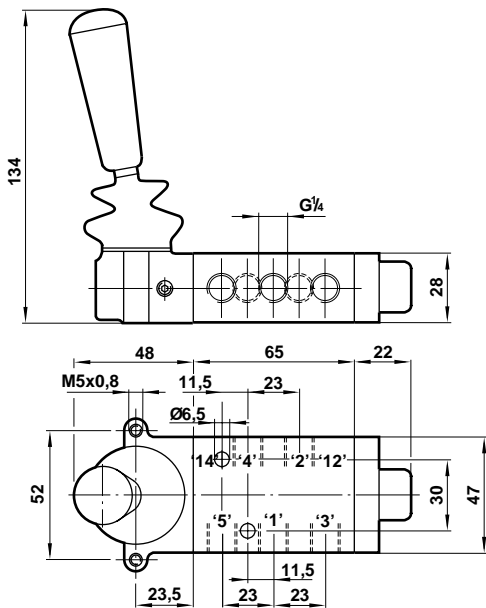
Operating Force: 62N
This valve is suitable for panel mounting and includes a nut and washer.
Panel Hole: Ø21 mm; Panel Thickness: 8 mm maximum

X3 0648 02
G¹/₄ 5/2 Button Operated Pilot Return Valve



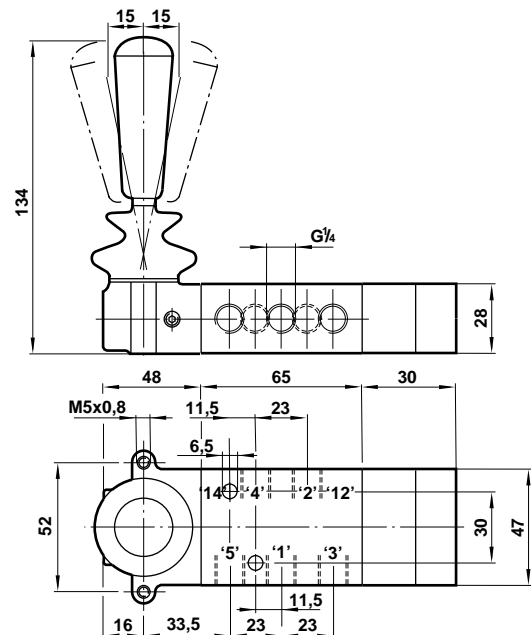
Operating Force: 13N, pilot port '12' at zero bar
Reset Pressure: 2 bar minimum
This valve is suitable for panel mounting and includes a nut and washer.
Panel Hole: Ø21 mm; Panel thickness: 8mm maximum

X3 0678 02, X3 0677 02
G¹/₄ 5/2 Lever Operated Valves



Operating Force: X3 0678 02 = 15N
X3 0677 02 = 13N
Model X3 0677 02 features a positive detent in each position.
Both models are suitable for panel mounting by means of a bezel kit, reference 03 3637 64.
Panel Hole: Ø31 mm;
Panel Thickness: 8 mm maximum

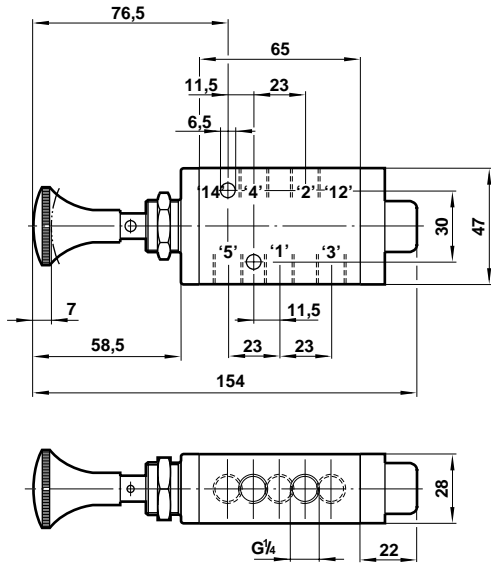
X3 3638 02, X3 3678 02, X3 3637 02, X3 3677 02
G¹/₄ 5/3 Three Position Lever Operated Valves



Operating Force: X3 3638 02 & X3 3678 02 models = 15N
X3 3637 02 & X3 3677 02 models = 12N
These valves are suitable for panel mounting by means of a bezel kit, reference 03 3637 64.
Panel Hole: Ø31 mm
Panel Thickness: 8 mm maximum

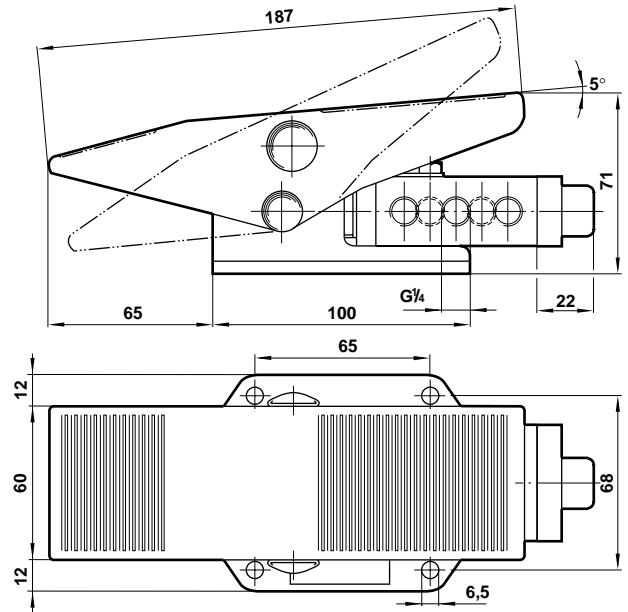


X3 0665 02
G¹/₄ 5/2 Knob Operated Knob Return Valve



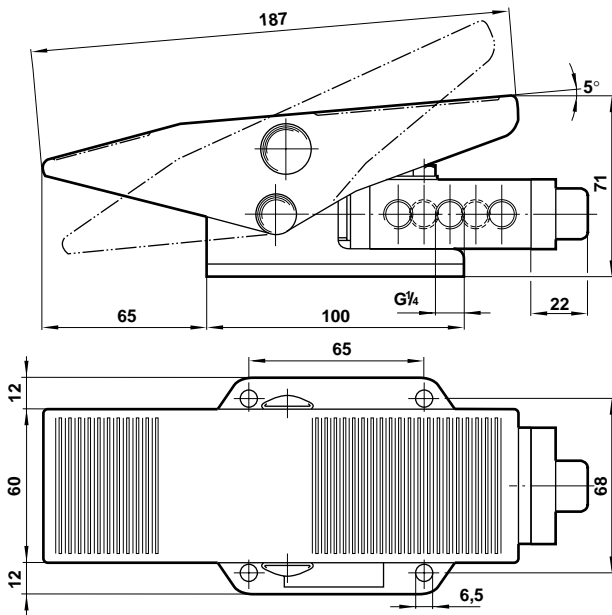
Operating Force: 13N
 This valve is suitable for panel mounting and includes a nut and washer.
 Panel Hole: Ø21 mm; Panel Thickness: 8 mm maximum

X3 0682 02
G¹/₄ 5/2 Pedal Operated Spring Return Valve



Operating Force: 22N
 A foot guard is available for this valve, reference
 03 0480 60

X3 0684 02
G¹/₄ 5/2 Pedal Operated Pedal Return Valve



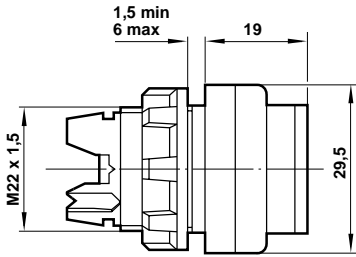
Operating Force: 22N
 A foot guard is available for this valve, reference
 03 0480 60



Operating Heads for use with G¹/₈ 5/2 and 3/2 Adapter Valves

M/P 34840/*

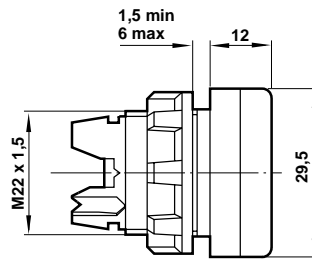
Button (Palm) Operated, Spring Return



Operating Force: 50N
IP 65 Protection
Panel mounted Ø22,5 mm hole

M/P34841/*

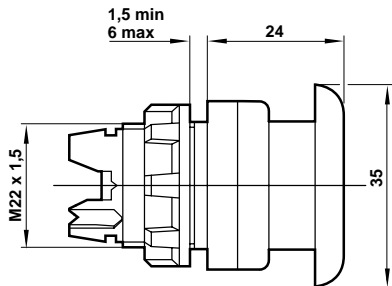
Button (Shrouded) Operated, Spring Return



Operating Force: 50N
Panel Hole: Ø22,5 mm
Panel Thickness: 6 mm maximum

M/P 34842/*

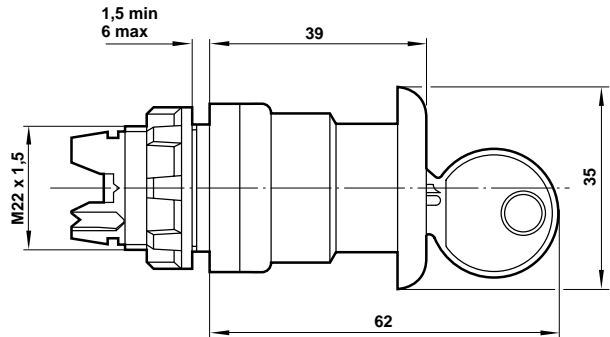
Button (Mushroom) Operated, Spring Return



Operating Force: 50N
Panel Hole: Ø22,5 mm
Panel Thickness: 6 mm maximum

M/P 34682

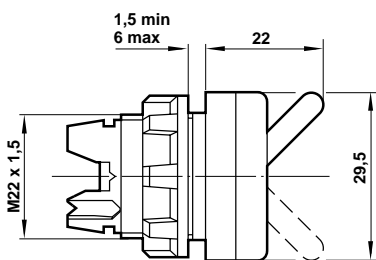
Button Operated, Key Reset (Emergency Stop)



Operating Force: 50N
Panel Hole: Ø22,5 mm
Panel Thickness: 6 mm maximum

M/P 34846

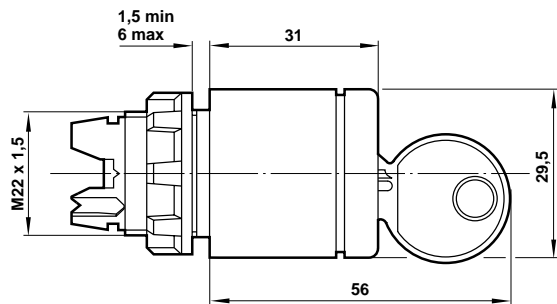
Switch Operated Switch Return



Operating Force: 40N
Panel Hole: Ø22,5 mm
Panel Thickness: 6 mm maximum

M/P 34845

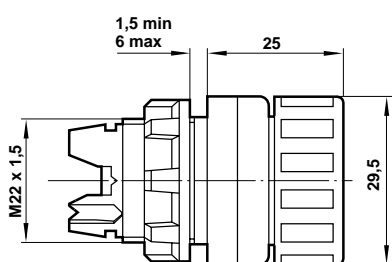
Key Operated Key Return



Operating Force: 6,8N
Panel Hole: Ø22,5 mm
Panel Thickness: 6 mm maximum

M/P 34843

Rotary Knob Operated Rotary Knob Return



Operating Force: 6,8N
Panel Hole: Ø22,5 mm
Panel Thickness: 6 mm maximum

Operator	Type	Colour	Model No.
Button (Palm)/Spring	Momentary Action	Red	M/P 34840/R
		Green	M/P 34840/G
		Black	M/P 34840/N
Button (Shrouded)/Spring	Momentary Action	Red	M/P 34841/R
		Green	M/P 34841/G
		Black	M/P 34841/N
Button (Mushroom)/Spring	Momentary Action	Red	M/P 34842/R
		Green	M/P 34842/G
		Black	M/P 34842/N
Emergency Stop Button/Key	Maintained Action	Red	M/P 34682
Switch/Switch	Maintained Action	-	M/P 34846
Rotary Knob/Rotary Knob	Maintained Action	-	M/P 34843
Key/Key	Maintained Action	-	M/P 34845